

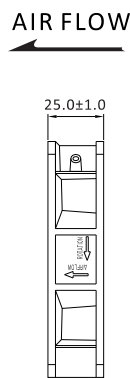
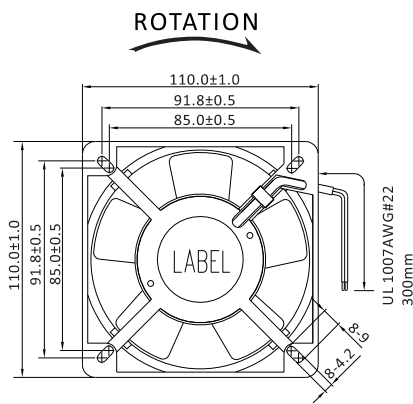
110x110x25mm
AC 100V-120V, 200V-240V

General Specifications

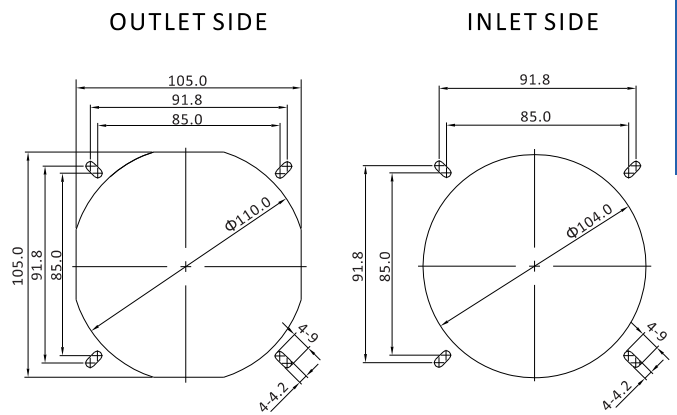
- ◆ Material..... Frame: Aluminum Alloy, Impeller: Plastic (UL94V-0)
Lead Wire: UL1007 22# black Terminal: 2.5mm
- ◆ Motor..... Shaded Pole & Internal Rotor Motor
- ◆ Input Voltage..... 110V/220V (optional)
- ◆ Dielectric Strength..... 50/60Hz ,1500VAC 1Min (between input terminal and frame)
- ◆ Expected Life..... Ball Bearing 50000hrs, Sleeve Bearing 30000hrs (40°C)
- ◆ Temperature Range..... Operating temperature -10°C~+70°C (Non-condensing)
Storage temperature -40°C~+70°C (Non-condensing)



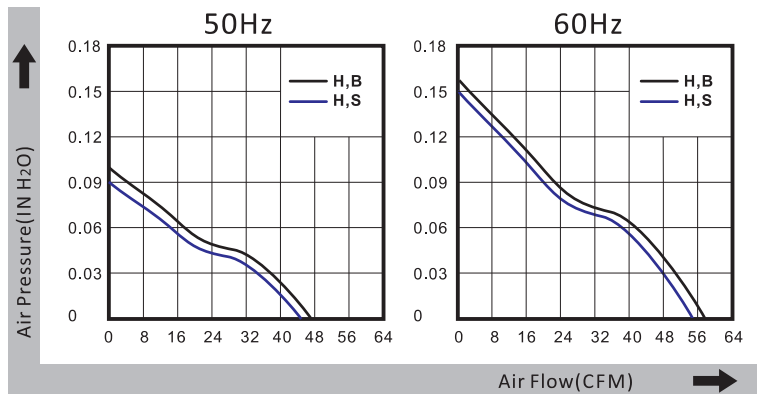
Dimensions (Unit: mm)



Mounting Panel Cutout (Unit: mm)



PQ Curve (At Rated Voltage)



Safety Standards



Specifications

Model	Bearing Type	Rated Voltage	Frequenz	Rated Current	Input Power	Speed	Max Air Flow		Max Static Pressure		Noise	Weight
Part No. B/S	DB/S	VAC	Hz	Amp	Watt	RPM	CFM	m ³ /min	Inch-H2O	PA	dB-A	g
AA11025S11HL(T)	S	100~120	50	0.14	18	2000	45	1,274	0,09	22	33	330
AA11025S11HL(T)	S	100~120	60	0.12	16	2500	55	1,557	0,15	37	37	330
AA11025S22HL(T)	S	200~240	50	0.08	18	2000	45	1,274	0,09	22	33	330
AA11025S22HL(T)	S	200~240	60	0.07	16	2500	55	1,557	0,15	37	37	330
AA11025B11HL(T)	DB	100~120	50	0.14	18	2100	47	1,330	0,10	25	34	330
AA11025B11HL(T)	DB	100~120	60	0.12	16	2600	57	1,613	0,16	40	38	330
AA11025B22HL(T)	DB	200~240	50	0.08	18	2100	47	1,330	0,10	25	34	330
AA11025B22HL(T)	DB	200~240	60	0.07	16	2600	57	1,613	0,16	40	38	330