

# 80x80x38mm AC100~240V Full range AC voltage input

**NEW**

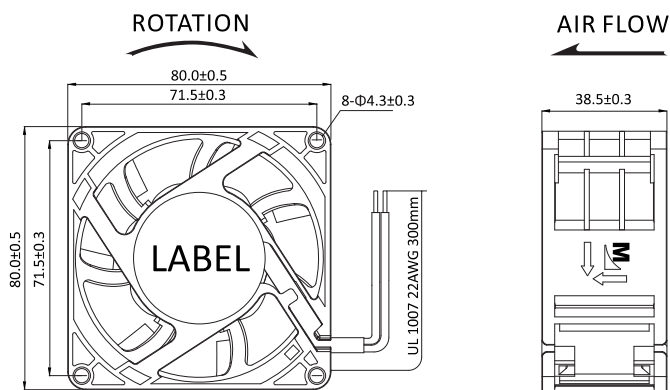


AF08038 AC/DC Fan

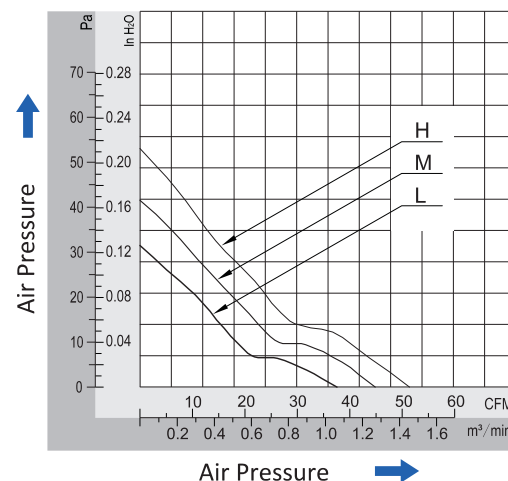
## General Specifications

- ◆ Frame Size..... 80×80×38mm
- ◆ Material..... Frame: Plastic(UL94V-0) ,Impeller: Plastic(UL94V-0)  
Lead Wire: UL1007 22# black Terminal:2.5mm
- ◆ Motor..... AF-AC Frequency-Switching Fan Motor
- ◆ Input Voltage..... 100V~ 240V(50/60Hz) ( AC & DC)
- ◆ Dielectric Strength.... 50/60Hz ,1500VAC 1Min(between input terminal and frame)
- ◆ Expected Life..... Ball Bearing 50000hrs(40°C)
- ◆ Temperature Range... Operating temperature -10°C~+70°C(Non-condensing)  
Storage temperature -40°C~+70°C(Non-condensing)
- ◆ Sensor-Lead Wire..... FG Yellow, RD White, ⊕ Brown with UL1007 22#

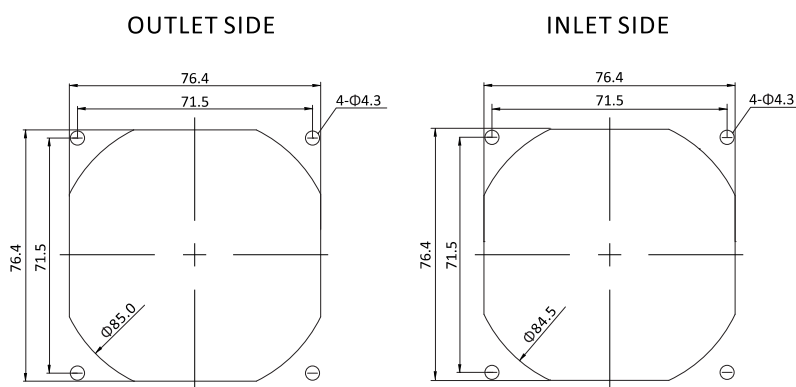
## Dimensions(Unit:mm)



## PQ Curve(At Rated Voltage)



## Mounting Panel Cutout (Unit:mm)



## Safety Standards



## Fans Specials



## Specifications

Model	Bearing Type	Rated Voltage	Frequenz	Rated Current	Input Power	Speed	Max Air Flow	Max Static Pressure	Noise	Weight		
Part No.	DB/S	VAC & VDC	Hz	Amp	Watt	RPM	CFM	m <sup>3</sup> /min	Inch-H <sub>2</sub> O	PA	dB-A	g
AF08038B**HL(T)	Dual Ball	100~240	-	0,06	2,30	4500	53,3	1,509	0,22	55	39	120
AF08038B**ML(T)	Dual Ball	100~240	-	0,05	1,70	4000	46,1	1,303	0,17	42	36	120
AF08038B**LL(T)	Dual Ball	100~240	-	0,04	1,40	3500	38,7	1,096	0,13	32	32	120