

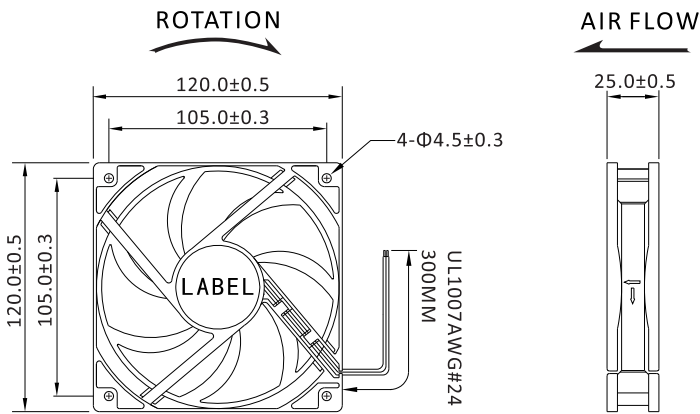
120x120x25mm
DC 12V, 24V, 48V



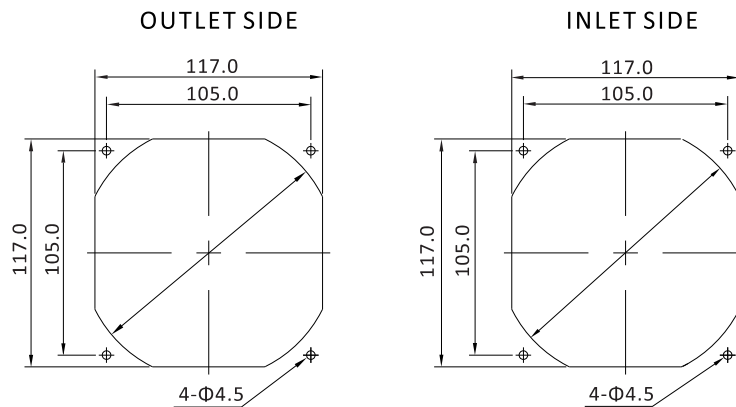
General Specifications

- ◆ Material..... Frame: Plastic (UL94V-0)
Impeller: Plastic (UL94V-0)
Lead Wire: UL1007AWG#24 or Equivalent (+)Red, (-)Black
- ◆ Expected Life..... Ball Bearing 50.000hrs (40°C)
Sleeve Bearing 30.000hrs (40°C)
- ◆ Temperature Range.. Operating temperature -10°C~+70°C (Non-condensing)
Storage temperature -40°C~+70°C (Non-condensing)

Dimensions (Unit: mm)



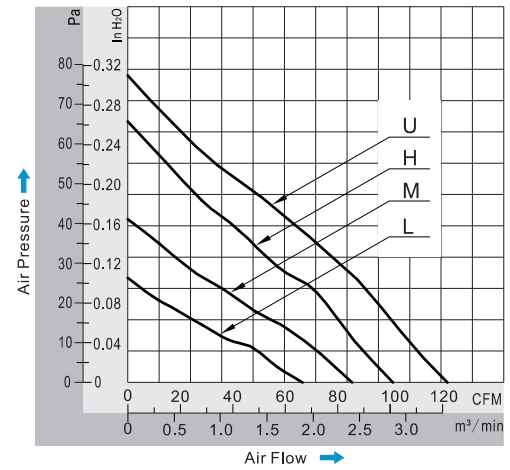
Mounting Panel Cutout (Unit: mm)



Specifications

Model	Bearing Type	Rated Voltage	Operating Voltage	Rated Current	Input Power	Speed	Max Air Flow		Max Static Pressure		Noise	Weight
Part No.	B/S	VDC	VDC	Amp	Watt	RPM	CFM	m³/min	inch-H ₂ O	PA	dB-A	g
DA12025#12U	B.S	12	7,0~13,8	0,80	9,60	3500	122,12	3,456	0,31	77	49	140
DA12025#12H	B.S	12	7,0~13,8	0,50	6,00	3000	103,92	2,941	0,24	60	44	140
DA12025#12M	B.S	12	7,0~13,8	0,40	4,80	2500	86,65	2,452	0,18	45	39	140
DA12025#12L	B.S	12	7,0~13,8	0,20	2,40	2000	67,01	1,896	0,10	25	35	140
DA12025#24U	B.S	24	14,0~27,6	0,50	12,00	3500	122,12	3,456	0,31	77	49	140
DA12025#24H	B.S	24	14,0~27,6	0,40	9,60	3000	103,92	2,941	0,24	60	44	140
DA12025#24M	B.S	24	14,0~27,6	0,25	6,00	2500	86,65	2,452	0,18	45	39	140
DA12025#24L	B.S	24	14,0~27,6	0,15	3,60	2000	67,01	1,896	0,10	25	35	140
DA12025#48U	B.S	48	28,0~56,0	0,40	19,20	3500	122,12	3,456	0,31	77	49	140
DA12025#48H	B.S	48	28,0~56,0	0,30	14,40	3000	103,92	2,941	0,24	60	44	140
DA12025#48M	B.S	48	28,0~56,0	0,20	9,60	2500	86,65	2,452	0,18	45	39	140
DA12025#48L	B.S	48	28,0~56,0	0,10	4,80	2000	67,01	1,896	0,10	25	35	140

PQ Curve (At Rated Voltage)



Safety Standards



DC Fans Specials



DA12025 DC Fan