

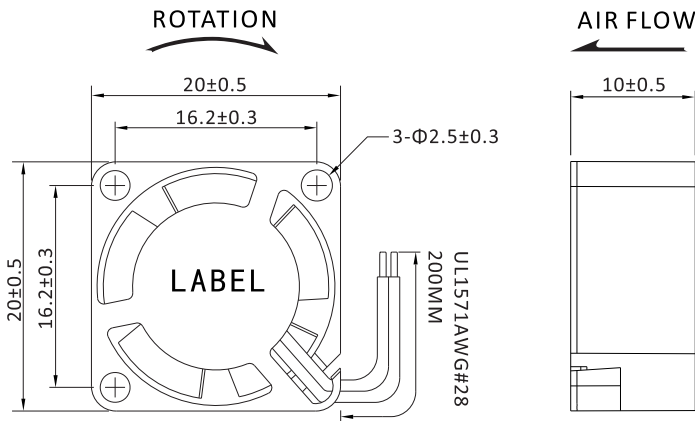
20x20x10mm
DC 5V, 12V



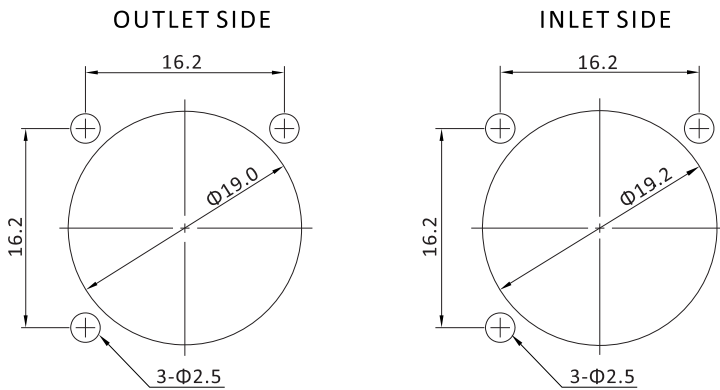
General Specifications

- ◆ Material..... Frame: Plastic (UL94V-0)
Impeller: Plastic (UL94V-0)
Lead Wire: UL1571AWG#28 or Equivalent (+)Red, (-)Black
- ◆ Expected Life..... Ball Bearing 50.000hrs (40°C)
Sleeve Bearing 30.000hrs (40°C)
- ◆ Temperature Range.. Operating temperature -10°C~+70°C (Non-condensing)
Storage temperature -40°C~+70°C (Non-condensing)

Dimensions (Unit: mm)



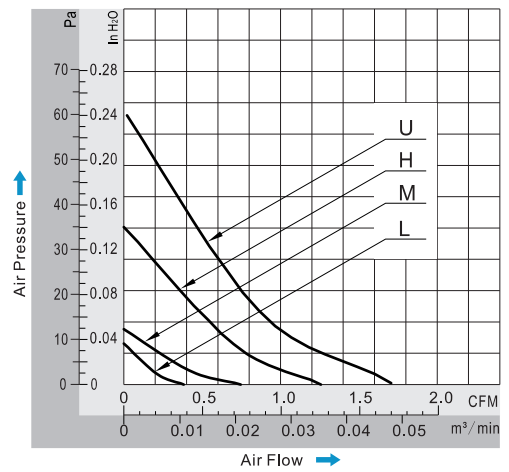
Mounting Panel Cutout (Unit: mm)



Specifications

Model	Bearing Type	Rated Voltage	Operating Voltage	Rated Current	Input Power	Speed	Max Air Flow	Max Static Pressure	Noise	Weight		
Part No.	B/S	VDC	VDC	Amp	Watt	RPM	CFM	m ³ /min	Inch-H2O	PA	dB-A	g
DA02010#05U	B.S	5	3,5~5,5	0,20	1,00	20000	1,70	0,048	0,24	60	30	5
DA02010#05H	B.S	5	3,5~5,5	0,13	0,65	15000	1,25	0,035	0,14	35	27	5
DA02010#05M	B.S	5	3,5~5,5	0,10	0,50	10000	0,73	0,021	0,05	12	22	5
DA02010#05L	B.S	5	3,5~5,5	0,07	0,35	8000	0,42	0,012	0,04	10	21	5
DA02010#12U	B.S	12	7,0~13,8	0,07	0,84	20000	0,17	0,005	0,24	60	30	5
DA02010#12H	B.S	12	7,0~13,8	0,05	0,60	15000	1,25	0,035	0,14	35	27	5
DA02010#12M	B.S	12	7,0~13,8	0,03	0,36	10000	0,73	0,021	0,05	12	22	5

PQ Curve (At Rated Voltage)



Safety Standards



DC Fans Specials



DA02010 DC Fan