

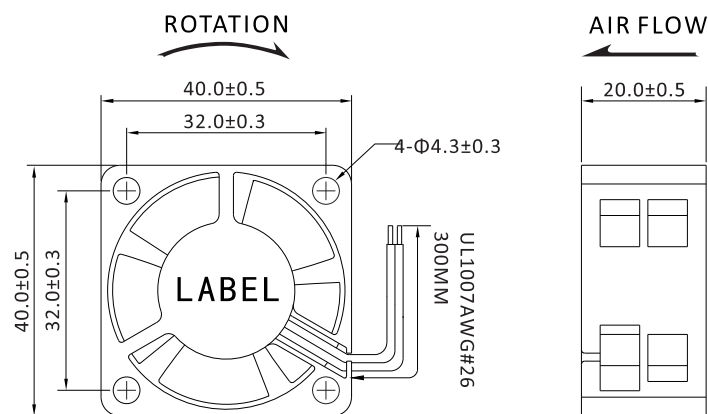
40x40x20mm
DC 5V, 12V, 24V

General Specifications

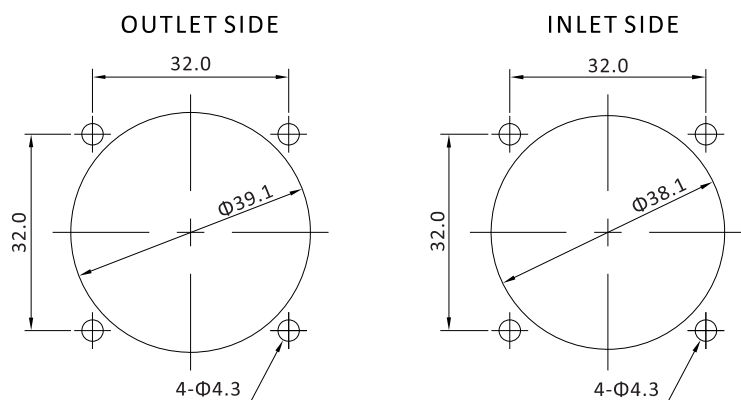
- ◆ Material..... Frame: Plastic (UL94V-0)
Impeller: Plastic (UL94V-0)
Lead Wire: UL1007AWG#26 or Equivalent (+)Red, (-)Black
- ◆ Expected Life..... Ball Bearing 50.000hrs (40°C)
Sleeve Bearing 30000hrs (40°C)
- ◆ Temperature Range.. Operating temperature -10°C~+70°C (Non-condensing)
Storage temperature -40°C~+70°C (Non-condensing)



Dimensions (Unit: mm)



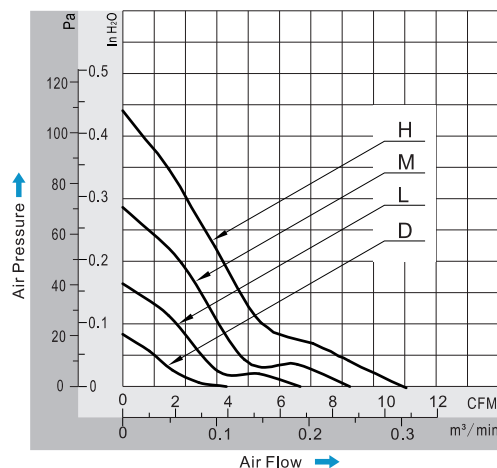
Mounting Panel Cutout (Unit: mm)



Specifications

| Model | Bearing Type | Rated Voltage | Operating Voltage | Rated Current | Input Power | Speed | Max Air Flow | Max Static Pressure | Noise | Weight | | |
|-------------|--------------|---------------|-------------------|---------------|-------------|-------|--------------|---------------------|----------|--------|------|----|
| Part No. | B/S | VDC | VDC | Amp | Watt | RPM | CFM | m ³ /min | Inch-H2O | PA | dB-A | g |
| DA04020#05H | B.S | 5 | 3,5~5,5 | 0,40 | 2,00 | 10000 | 10,79 | 0,305 | 0,43 | 107 | 38 | 24 |
| DA04020#05M | B.S | 5 | 3,5~5,5 | 0,25 | 1,25 | 8000 | 8,43 | 0,239 | 0,27 | 67 | 35 | 24 |
| DA04020#05L | B.S | 5 | 3,5~5,5 | 0,18 | 0,90 | 6000 | 6,47 | 0,183 | 0,16 | 40 | 27 | 24 |
| DA04020#05D | B.S | 5 | 3,5~5,5 | 0,10 | 0,50 | 4000 | 3,93 | 0,111 | 0,07 | 17 | 23 | 24 |
| DA04020#12H | B.S | 12 | 7,0~13,8 | 0,16 | 1,92 | 10000 | 10,79 | 0,305 | 0,43 | 107 | 38 | 24 |
| DA04020#12M | B.S | 12 | 7,0~13,8 | 0,13 | 1,56 | 8000 | 8,43 | 0,239 | 0,27 | 67 | 35 | 24 |
| DA04020#12L | B.S | 12 | 7,0~13,8 | 0,08 | 0,96 | 6000 | 6,47 | 0,183 | 0,16 | 40 | 27 | 24 |
| DA04020#12D | B.S | 12 | 7,0~13,8 | 0,05 | 0,60 | 4000 | 3,93 | 0,111 | 0,07 | 17 | 23 | 24 |
| DA04020#24H | B.S | 24 | 14,0~27,6 | 0,12 | 2,88 | 10000 | 10,79 | 0,305 | 0,43 | 107 | 38 | 24 |
| DA04020#24M | B.S | 24 | 14,0~27,6 | 0,08 | 1,92 | 8000 | 8,43 | 0,239 | 0,27 | 67 | 35 | 24 |
| DA04020#24L | B.S | 24 | 14,0~27,6 | 0,05 | 1,20 | 6000 | 6,47 | 0,183 | 0,16 | 40 | 27 | 24 |

PQ Curve (At Rated Voltage)



Safety Standards



DC Fans Specials



DA04020 DC Fan