

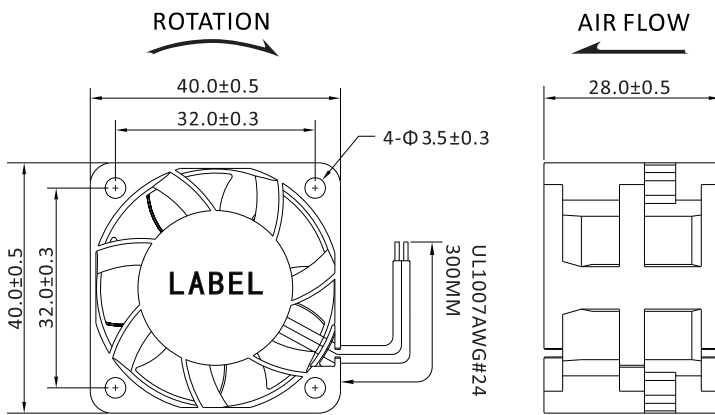
40x40x28mm  
DC Speed 12V, 24V

**General Specifications**

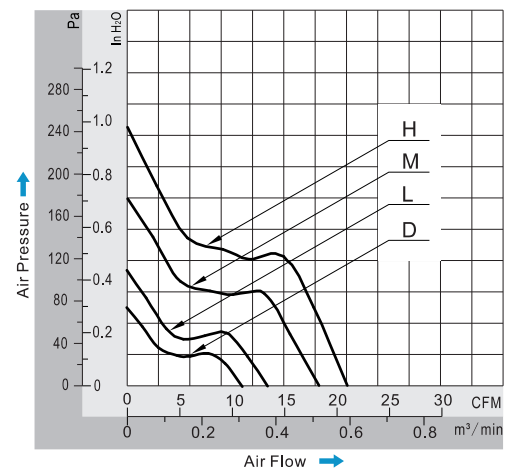
- Material..... Frame: Plastic (UL94V-0)  
Impeller: Plastic (UL94V-0)  
Lead Wire: UL1007AWG#24 or Equivalent (+)Red, (-)Black
- Expected Life..... Ball Bearing 50.000hrs (40°C)
- Temperature Range.. Operating temperature -10°C~+70°C (Non-condensing)  
Storage temperature -40°C~+70°C (Non-condensing)



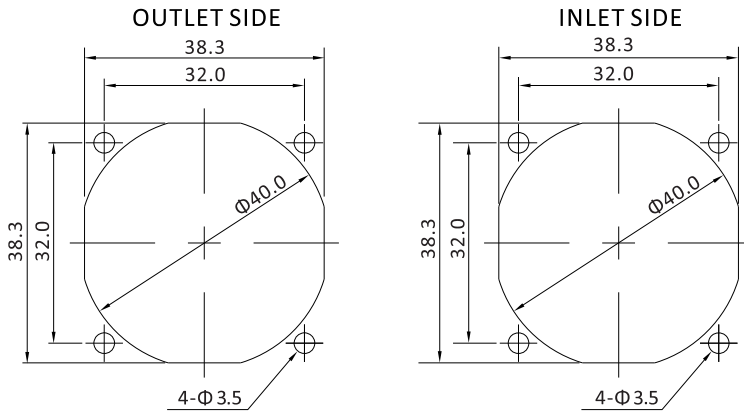
**Dimensions (Unit: mm)**



**PQ Curve (At Rated Voltage)**



**Mounting Panel Cutout (Unit: mm)**



**Safety Standards**



**DC Fans Specials**



**Specifications**

Model	Bearing Type	Rated Voltage	Operating Voltage	Rated Current	Input Power	Speed	Max Air Flow		Max Static Pressure		Noise	Weight
Part No.	B/S	VDC	VDC	Amp	Watt	RPM	CFM	m³/min	Inch-H2O	PA	dB-A	g
DZ04028#12H	B	12	7,0~13,8	0,65	7,80	15000	21,45	0,607	0,98	244	58.0	40.0
DZ04028#12M	B	12	7,0~13,8	0,45	5,40	13000	18,30	0,518	0,70	174	50.0	40.0
DZ04028#12L	B	12	7,0~13,8	0,25	3,00	10000	13,40	0,379	0,42	105	42.0	40.0
DZ04028#12D	B	12	7,0~13,8	0,17	2,04	8000	10,94	0,310	0,29	72	39.0	40.0
DZ04028#24H	B	24	14,0~27,6	0,35	8,40	15000	21,45	0,607	0,98	244	58.0	40.0
DZ04028#24M	B	24	14,0~27,6	0,25	6,00	13000	18,30	0,518	0,70	174	50.0	40.0
DZ04028#24L	B	24	14,0~27,6	0,14	3,36	10000	13,40	0,379	0,42	105	42.0	40.0
DZ04028#24D	B	24	14,0~27,6	0,11	2,64	8000	10,94	0,310	0,29	72	39.0	40.0