

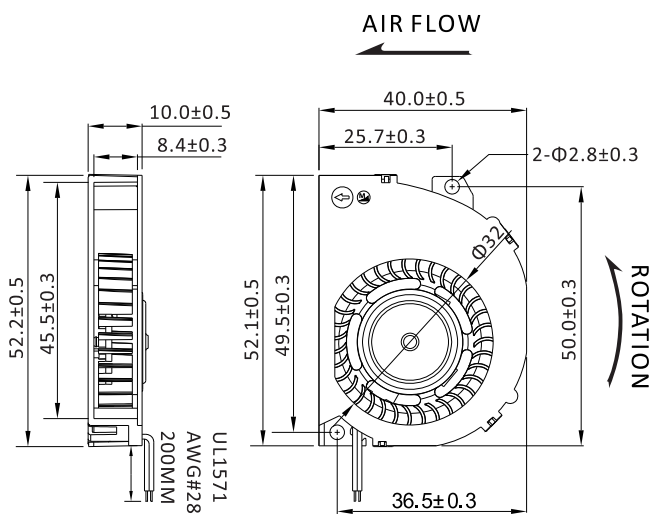
40x52x10mm  
DC 5V, 12V, 24V

**General Specifications**

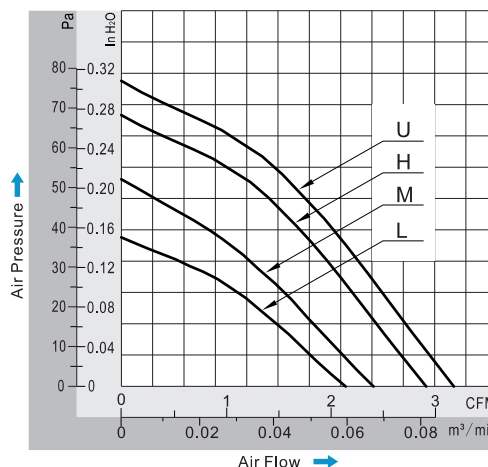
- ◆ Material..... Frame: Plastic (UL94V-0)  
Impeller: Plastic (UL94V-0)  
Lead Wire: UL1571AWG#28 or Equivalent (+)Red, (-)Black
- ◆ Expected Life..... Ball Bearing 50.000hrs (40°C)  
Sleeve Bearing 30.000hrs (40°C)
- ◆ Temperature Range.. Operating temperature -10°C~+70°C (Non-condensing)  
Storage temperature -40°C~+70°C (Non-condensing)



**Dimensions (Unit: mm)**



**PQ Curve (At Rated Voltage)**



**Safety Standards**



**DC Fans Specials**



**Specifications**

Model	Bearing Type	Rated Voltage	Operating Voltage	Rated Current	Input Power	Speed	Max Air Flow		Max Static Pressure		Noise	Weight
Part No.	B/S	VDC	VDC	Amp	Watt	RPM	CFM	m³/min	Inch-H2O	PA	dB-A	g
DB04010#05H	B.S	5	3,5~5,5	0,23	1,15	5000	3,06	0,087	0,29	72	27	21
DB04010#05M	B.S	5	3,5~5,5	0,20	1,00	4500	2,64	0,075	0,21	52	25	21
DB04010#05L	B.S	5	3,5~5,5	0,16	0,80	4000	2,23	0,063	0,15	37	23	21
DB04010#12U	B.S	12	7,0~13,8	0,18	2,16	5500	3,12	0,088	0,31	77	29	21
DB04010#12H	B.S	12	7,0~13,8	0,15	1,80	5000	3,06	0,087	0,29	72	27	21
DB04010#12M	B.S	12	7,0~13,8	0,12	1,44	4500	2,64	0,075	0,21	52	25	21
DB04010#12L	B.S	12	7,0~13,8	0,10	1,20	4000	2,23	0,063	0,15	37	23	21
DB04010#24U	B.S	24	14,0~27,6	0,10	2,40	5500	3,12	0,088	0,31	77	29	21
DB04010#24H	B.S	24	14,0~27,6	0,07	1,68	5000	3,06	0,087	0,29	72	27	21
DB04010#24M	B.S	24	14,0~27,6	0,05	1,20	4500	2,64	0,075	0,21	52	25	21
DB04010#24L	B.S	24	14,0~27,6	0,03	0,72	4000	2,23	0,063	0,15	37	23	21