

45x45x10mm
DC 5V, 12V

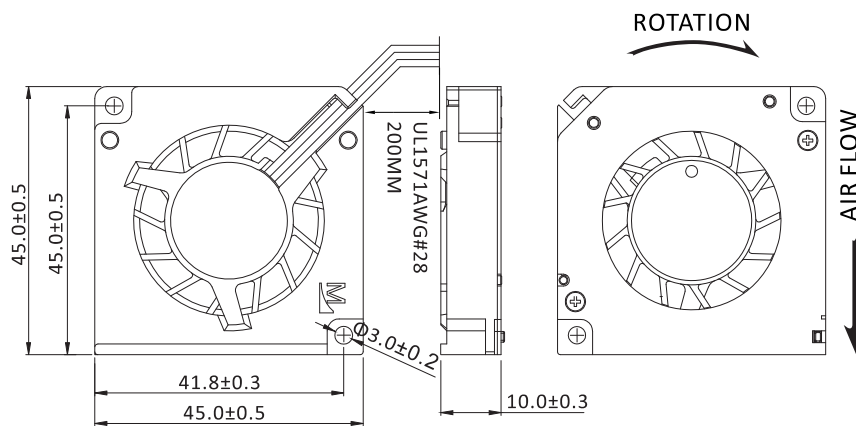
NEW



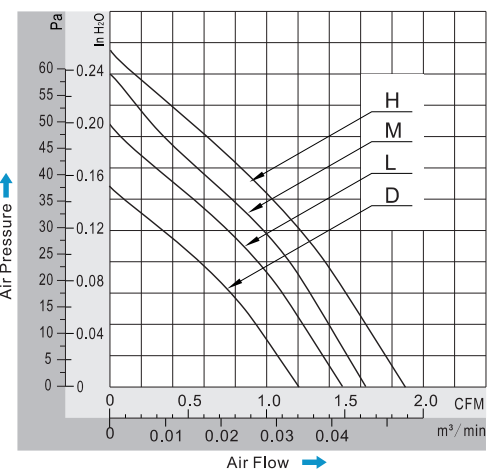
General Specifications

- ◆ Material..... Frame: Plastic (UL94V-0)
Impeller: Plastic (UL94V-0)
Lead Wire: UL1571AWG#28 or Equivalent (+)Red, (-)Black
- ◆ Expected Life..... Ball Bearing 50.000hrs (40°C)
Sleeve Bearing 30.000hrs (40°C)
- ◆ Temperature Range.. Operating temperature -10°C~+70°C (Non-condensing)
Storage temperature -40°C~+70°C (Non-condensing)

Dimensions (Unit: mm)



PQ Curve (At Rated Voltage)



Safety Standards



DC Fans Specials



Specifications

| Model | Bearing Type | Rated Voltage | Operating Voltage | Rated Current | Input Power | Speed | Max Air Flow | | Max Static Pressure | | Noise | Weight |
|-------------|--------------|---------------|-------------------|---------------|-------------|-------|--------------|--------|---------------------|----|-------|--------|
| Part No. | B/S | VDC | VDC | Amp | Watt | RPM | CFM | m³/min | Inch-H2O | PA | dB-A | g |
| DB04510#05H | B.S | 5 | 3,5~5,5 | 0,23 | 1,15 | 5500 | 1,88 | 0,053 | 0,25 | 62 | 32 | 28 |
| DB04510#05M | B.S | 5 | 3,5~5,5 | 0,20 | 1,00 | 5000 | 1,67 | 0,047 | 0,24 | 60 | 29 | 28 |
| DB04510#05L | B.S | 5 | 3,5~5,5 | 0,16 | 0,80 | 4500 | 1,50 | 0,042 | 0,20 | 50 | 27 | 28 |
| DB04510#05D | B.S | 5 | 3,5~5,5 | 0,14 | 0,70 | 4000 | 1,21 | 0,034 | 0,15 | 37 | 25 | 28 |
| DB04510#12H | B.S | 12 | 7,0~13,8 | 0,12 | 1,15 | 5500 | 1,88 | 0,053 | 0,25 | 62 | 32 | 28 |
| DB04510#12M | B.S | 12 | 7,0~13,8 | 0,10 | 1,00 | 5000 | 1,67 | 0,047 | 0,24 | 60 | 29 | 28 |
| DB04510#12L | B.S | 12 | 7,0~13,8 | 0,08 | 0,80 | 4500 | 1,50 | 0,042 | 0,20 | 50 | 27 | 28 |
| DB04510#12D | B.S | 12 | 7,0~13,8 | 0,06 | 0,70 | 4000 | 1,21 | 0,034 | 0,15 | 37 | 25 | 28 |