

## Detuned Reactors

### 400V SERIES, TYPE 3INPP



#### REACTOR SERIES FOR HARMONIC FILTERING

- High quality materials
- Design optimised to reduce total losses
- Small mechanical size
- Low noise level due to the glued air caps

#### Technical specifications

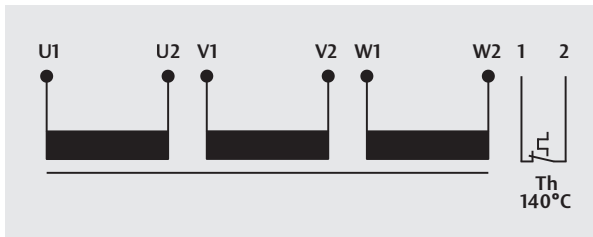
<b>Standards</b>	IEC60289, IEC60076, VDE 0532, UL/Ur file E202612, RoHs, CE
<b>Design</b>	Ironcore multiple aircap, low loss grain oriented steel
<b>Tolerance, Inductance</b>	-3/+3%
<b>Linearity/%</b>	1,75 x I <sub>n</sub> 95% inductance
<b>Insulation level</b>	4 kVac
<b>Temperature class</b>	F 155 °C 6,25-12,5 kvar / H 180 °C 25-75 kvar
<b>Cooling</b>	Natural cooling

<b>Ambient temperature</b>	- 20 ... +60 °C T60
<b>Protection class</b>	IP00
<b>Installation</b>	Screw fastening
<b>Color</b>	Light brown or black
<b>Noise level</b>	Max. 50 dB with rated harmonics currents at 1 m distance

<b>Optional</b>	<ul style="list-style-type: none"> <li>• Temperature switch 130-150 °C +-5%, 250 Vac (&lt;6,3A)..500 Vac (&lt;2A)</li> <li>• Stranded wire outputs (flexible cable 110 °C)</li> <li>• Lateral mounting</li> </ul>
-----------------	---

Used for rated capacitors Q/kvar	Net		L/mH	I <sub>50</sub> /A	I <sub>150</sub> /A	I <sub>250</sub> /A	I <sub>350</sub> /A	I <sub>rms</sub> /A	Linearity / %	Loss P h tot	Cu / Al Weight (kg)
	U/V	f/Hz									
<b>Filtering factor f<sub>res</sub> 189Hz P7</b>											
6,25	400	50	6,14	14,09	0,48	4,77	1,71	10,55	175	38	Cu 0,89
12,5	400	50	3,07	19,80	0,70	6,70	2,40	21,10	175	68	Cu 1,45
25	400	50	1,53	39,70	1,40	13,40	4,80	42,20	175	105	Al 1,83
50	400	50	0,77	79,40	2,70	26,80	9,70	84,40	175	152	Al 4,52
75	400	50	0,51	119,10	4,10	40,30	14,50	126,60	175	248	Al 7,68
<b>Filtering factor f<sub>res</sub> 134Hz P14</b>											
25	400	50	3,30	56,40	2,62	5,35	2,66	40,00	175	158	Al 4,19
50	400	50	1,65	113,00	5,23	10,67	5,30	80,00	175	255	Al 7,90

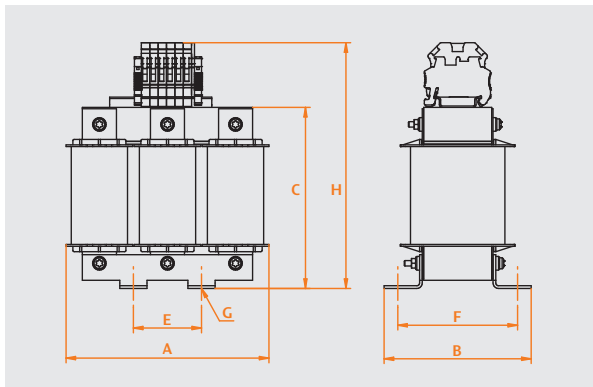
## Connection diagram



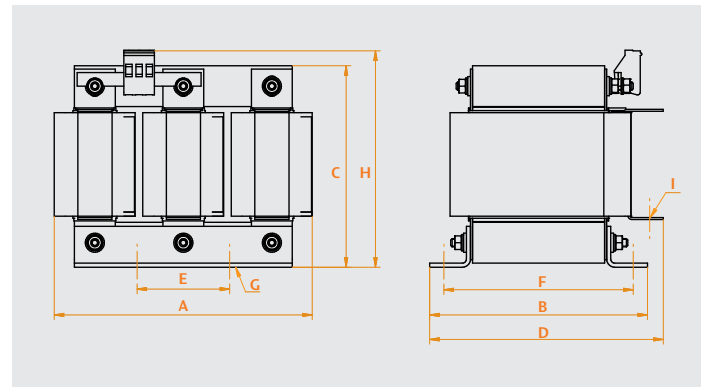
## Terminals

Type	Terminals	Clamp size	Tightening torque / Nm
6,25	Screw terminals	6	2,5
12,5	Screw terminals	6	2,5
25	Busbar	M6 flat	10
50	Busbar	M8 flat	10
75	Busbar	M10 flat	10

## Mechanical data 6,25–12,5 kvar



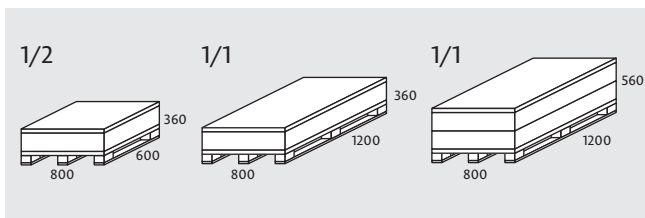
## Mechanical data 25–75 kvar



Without temperature switch	With temperature switch	A (mm)	B (mm)	C (mm)	D (mm)	E (mm)	F (mm)	G (mm)	H (mm)	I (ø mm)	kg
<b>Order code 189Hz</b>											
3INPP7.6,25	3INPP7T.6,25	125	97	133	-	50	77	7,5 x 14	184	-	4,80
3INPP7.12,5	3INPP7T.12,5	150	101	160	-	60	81	7,5 x 14	210	-	7,80
3INPP7.25	3INPP7T.25	189	160	148	172	68	139	9 x 14	159	9	13,50
3INPP7.50	3INPP7T.50	256	140	232	154	88	120	7,5 x 14	237	9	26,00
3INPP7.75	3INPP7T.75	256	170	300	200	88	139	11 x 20	-	11	42,00
<b>Order code 134Hz</b>											
3INPP14.25	3INPP14T.25	256	140	232	154	88	120	7,5 x 14	237	9	27,00
3INPP14.50	3INPP14T.50	300	170	275	200	100	139	11 x 20	-	11	45,00

Tolerance norm: EN 22768-1 C

## Packing details



Type (189Hz)	pcs / 1/2 pallet	pcs / 1/1 pallet	Height
6,25	30	55	360
12,5	20	40	360
25	-	18	360
50	-	14	560
75	-	10	560

## Muuntosähkö

Trafox is a brand of Muuntosähkö Oy. We develop, manufacture and customise high-quality transformers, chokes, filters and Trafox Superintend® monitoring devices for a large number of applications.

