

1-phase

POWER SERIES, TYPE P/M6,3 - 20 kVA

6,3 - 20 kVA



POWER TRANSFORMER SERIES FOR ENERGY, MARINE AND INDUSTRY APPLICATIONS

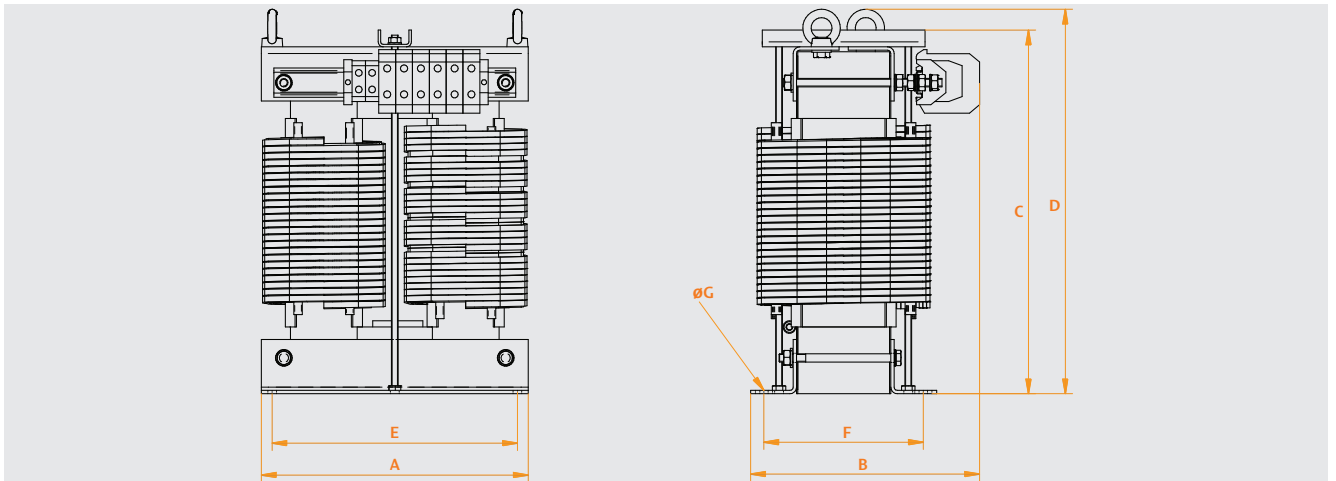
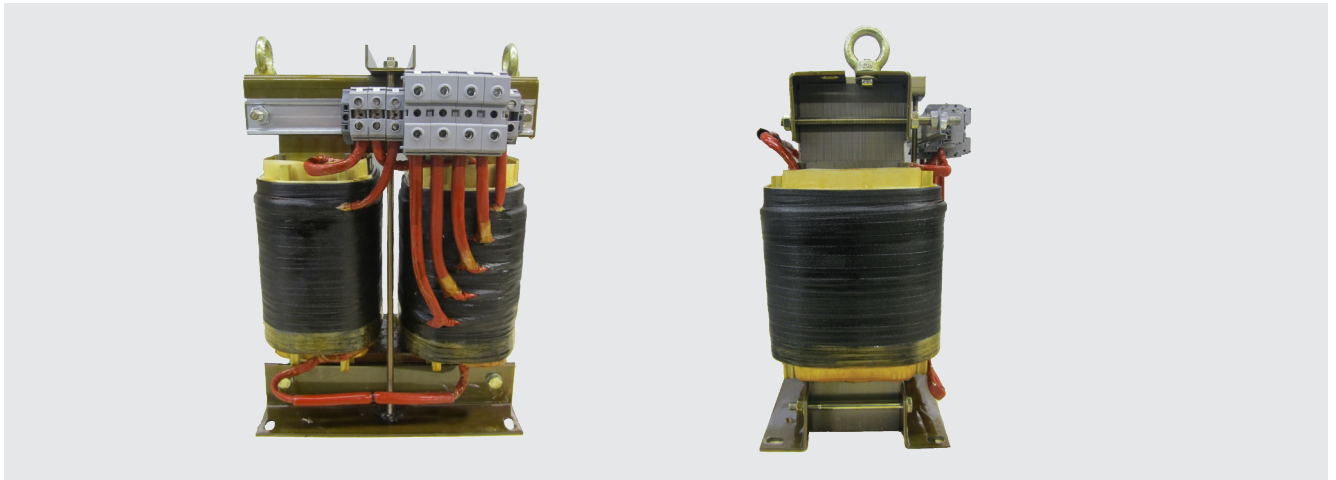
- This new series of transformers has been designed to be cost-effective -> 15-20% lower losses!
- The effective manufacturing methods cause less strain on the environment and all the raw materials can be recycled.
- This new series of transformers fulfills the most common standards and international norms.
- Transformers can be manufactured also according to norms such as DNV or LRS or customer's specified specifications.

Technical specifications

Standards	EN/IEC 61558-4	Isolation voltage	4 kV AC
Design	Open frame design	Ambient temperature	40°C
Power	6,3 - 20kVA	Protection degree	IP00
Frequency	50/60Hz	Protection class	I
Primary voltage	400V ± 2x2.5%	Terminals	Screw terminal blocks
Secondary voltage	230V	Fastening	L-shaped angle bars
Insulation class	F(155°C) / H(180°C)		

Power kVA	Po/W	Pk/W	Uk/%	Io/%	Leakage current/mA
6,3	95	245	3	15	< 0,5
8	105	285	3	15	< 0,5
10	110	315	3	10	< 0,5
12,5	140	335	3	10	< 0,5
16	150	390	2,5	10	< 0,5
20	185	455	2,5	10	< 0,5

Mechanical data



Open construction - Vertical model

Order code	Power / kVA	A (mm)	B (mm)	C (mm)	D (mm)	E (mm)	F (mm)	G (mm)	kg	Terminal block size
P6.3KVA-400/230	6,3	250	210	335	335	224	152	8,5	42	16mm ²
P8KVA-400/230	8	250	240	335	335	224	172	8,5	49	16mm ²
P10KVA-400/230	10	310	215	395	395	285	140	11	59	16mm ²
P12.5KVA-400/230	12,5	310	235	395	395	285	160	11	71	35mm ²
P16KVA-400/230	16	320	275	435	460	295	190	11	90	35mm ²
P20KVA-400/230	20	320	300	435	460	295	210	11	103	35mm ²

Also Horizontal models available.

Muuntosähkö

Trafox is a brand of Muuntosähkö Oy. We develop, manufacture and customise high-quality transformers, chokes, filters and Trafox Superintend® monitoring devices for a large number of applications.

MUUNTOSÄHKÖ OY TRAFIX

P.O. Box 10 | FI-00621 Helsinki | Tel. +358 207 933 700 | Fax +358 207 933 746 | sales@trafox.fi



www.trafox.fi