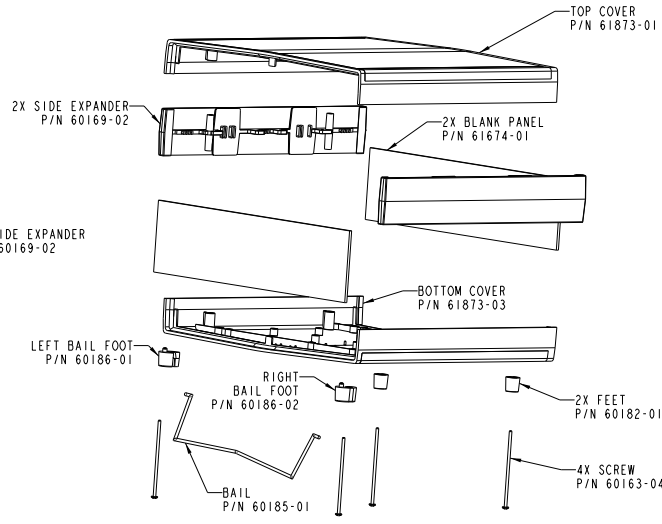
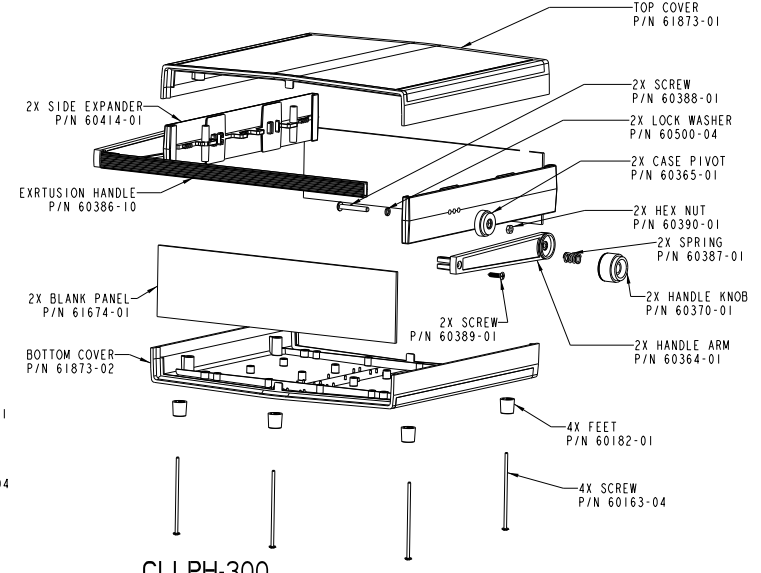


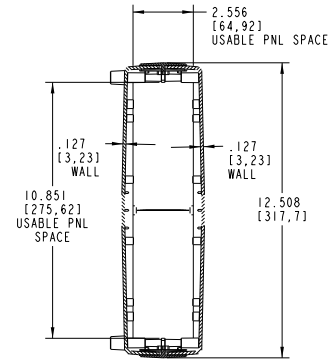
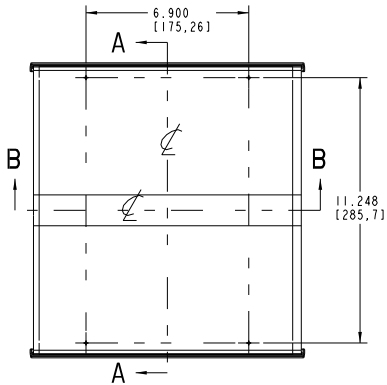
CLLP-300



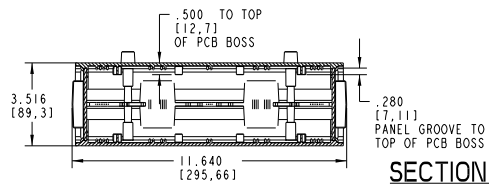
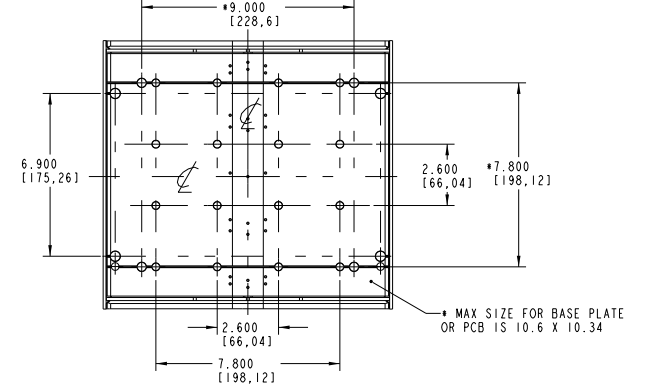
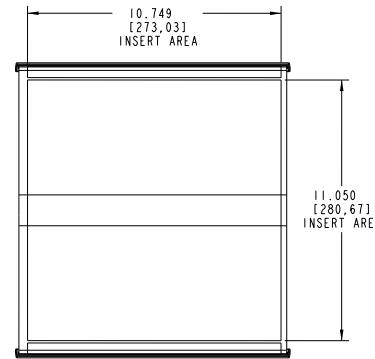
CLLPB-300



CLLPH-300



SECTION A-A



SECTION B-B

PACINTEC®
 1-610-361-4200
CLLP-300, CLLPB-300
CLLPH-300

VISIT **PACINTEC®**
 ON THE WORLD WIDE WEB
www.pacintecenclosures.com

COLOR / MATERIAL CODE		
COLOR	94HB	94VO
BLACK	000	028
P. C. BONE	039	060

DRAWING NUMBER	REV
62352	B