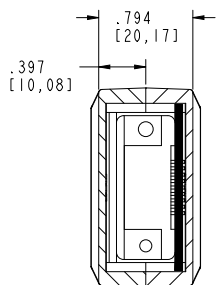
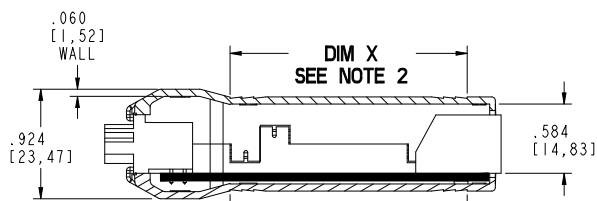


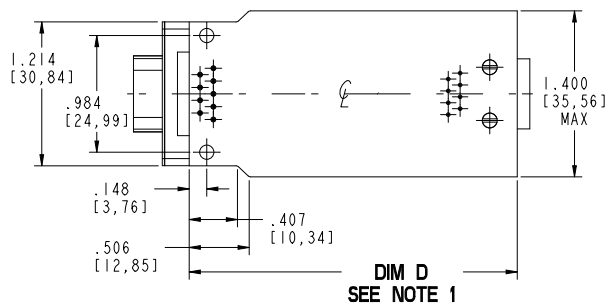
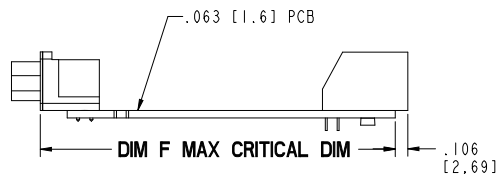
SECTION A-A



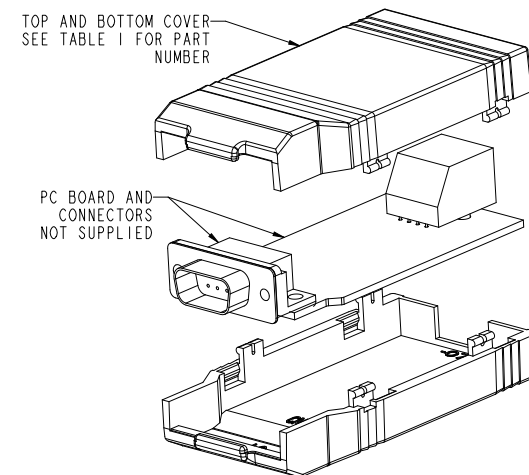
SECTION B-B



SECTION C-C



DIM D SEE NOTE 1



- NOTES:
1. ACTUAL PCB LENGTH IS A PRODUCT OF THE CONNECTORS SELECTED.
  2. DIM X & Y ARE TOP AND BOTTOM COVER INSERT AREA X 1.450 [36.83] WIDE.

TABLE 1

CN SIZE	S	M	L
HOUSING PART NUMBER	CNS-0407	CNM-0407	CNL-0407
DIM D PCB SIZE	2.267 [57,58]	2.767 [70,28]	3.267 [82,98]
DIM E OVERALL SIZE	2.624 [66,65]	3.124 [79,35]	3.624 [92,05]
DIM F MAX CRITICAL DIM	2.494 [63,35]	2.994 [76,05]	3.494 [88,75]
DIM X & Y INSERT AREA	1.500 [38,10]	2.000 [50,80]	2.500 [63,50]

DB9 RIGHT ANGLE CONNECTOR OR DB15HD R ANGLE CONNECTOR TO RJ11/45 RIGHT ANGLE CONNECTOR

**PACNTEC®**  
1-610-361-4200  
**CN-0407-SERIES**

SEE TABLE I

VISIT **PACNTEC®**  
ON THE WORLD WIDE WEB  
[www.pactecenclosures.com](http://www.pactecenclosures.com)

COLOR / MATERIAL CODE		
COLOR	94HB	94VO
BLACK	000	028
P.C.BONE	039	060

DRAWING NUMBER	REV
79583	B