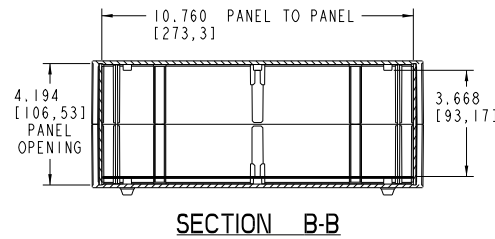
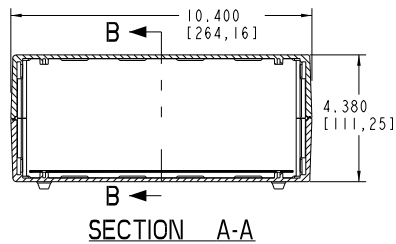
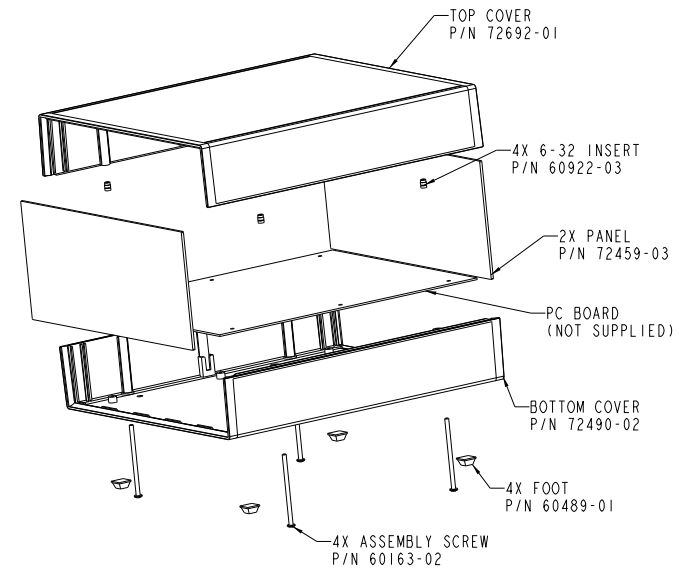
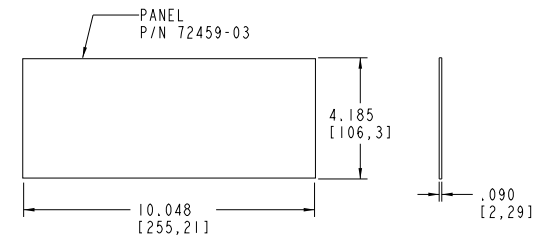
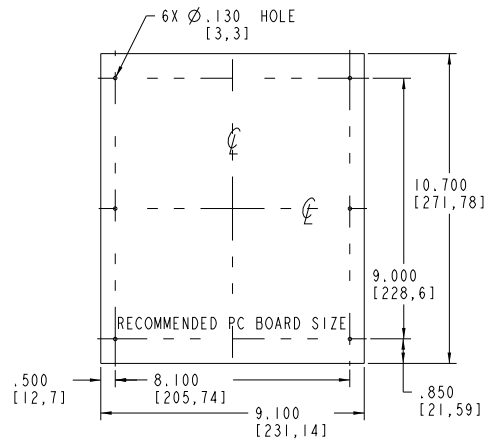
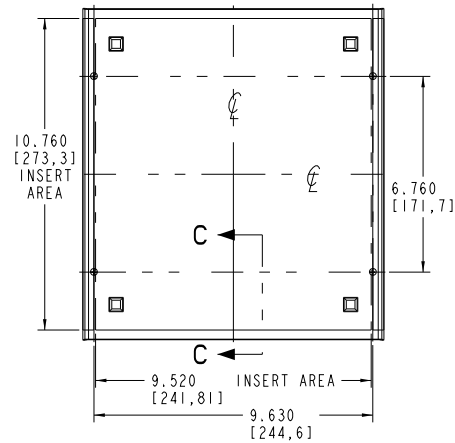


**SECTION C-C**  
SCALE 1.000



**SECTION B-B**



**PACINTEC®**  
1-610-361-4200

**DM-4**

VISIT **PACINTEC®**  
ON THE WORLD WIDE WEB  
[www.pactecenclosures.com](http://www.pactecenclosures.com)

COLOR / MATERIAL CODE		
COLOR	94HB	94VO
BLACK	000	028
P.C.BONE	039	060

DRAWING NUMBER	REV
78902	A