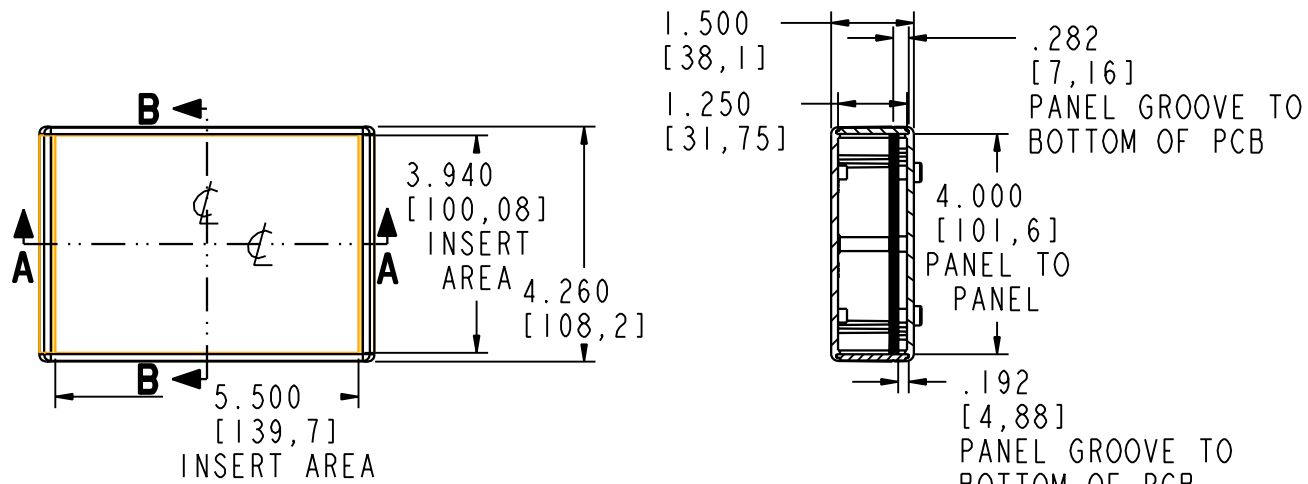
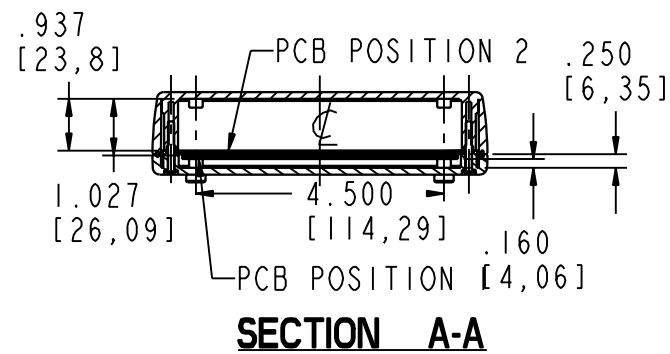
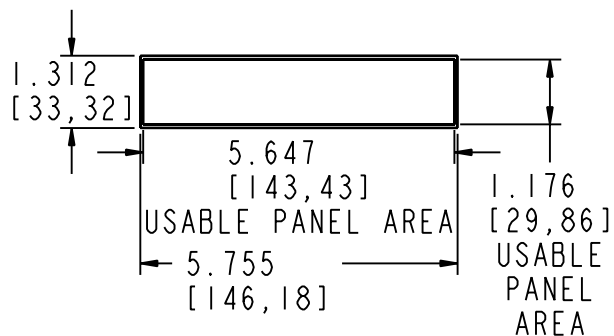
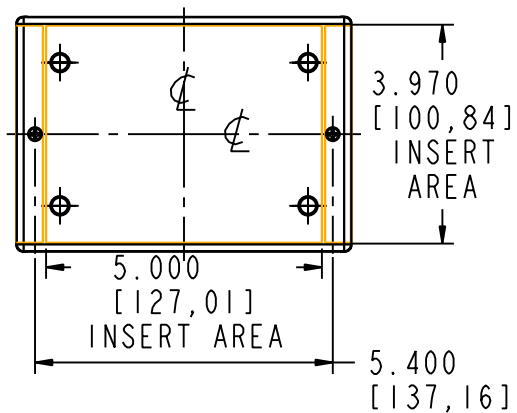
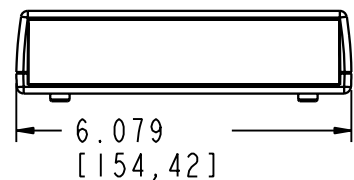


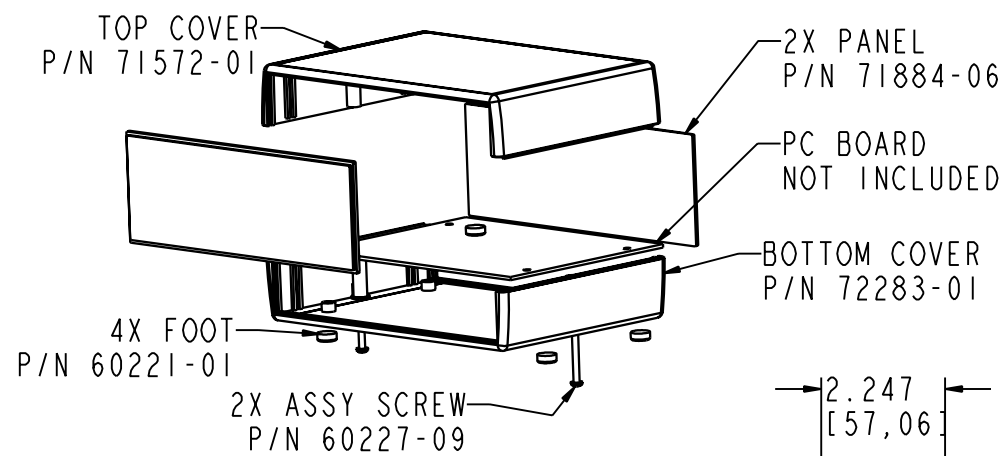
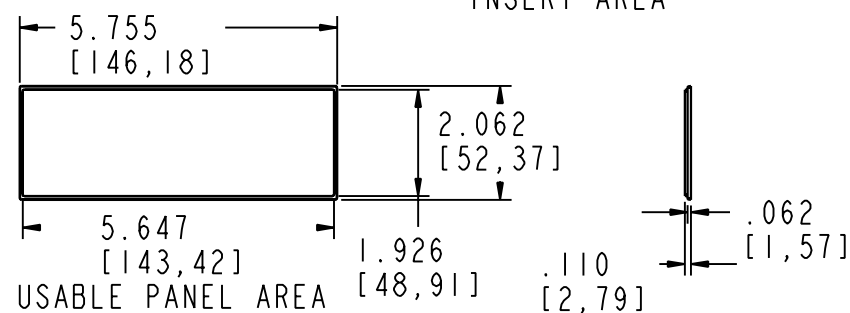
LH64-130



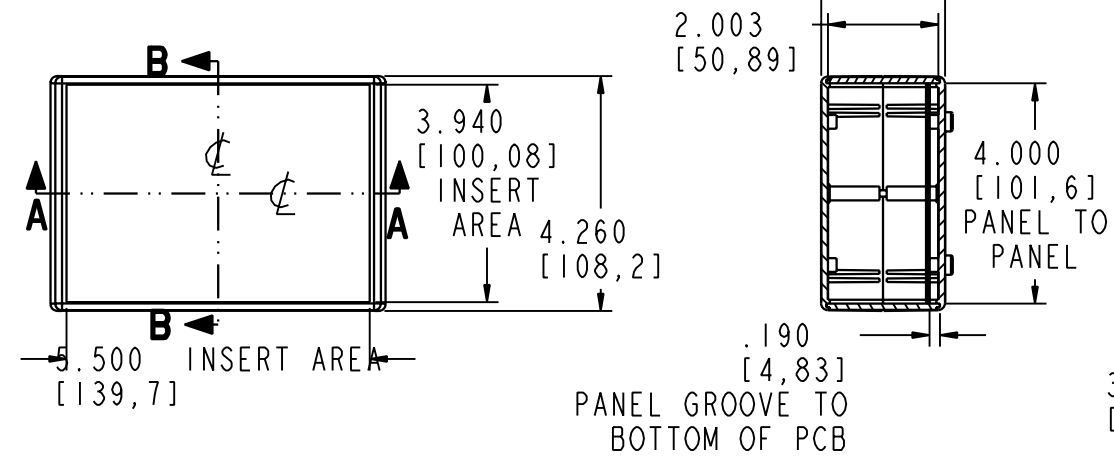
SECTION B-B



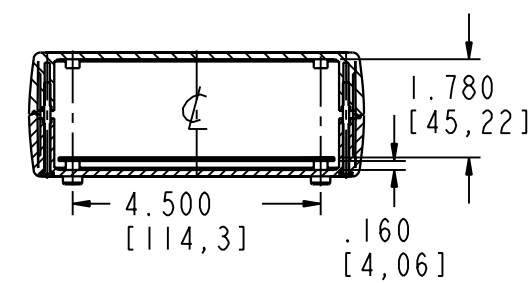
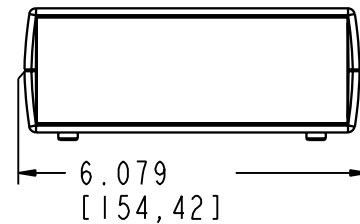
SECTION A-A



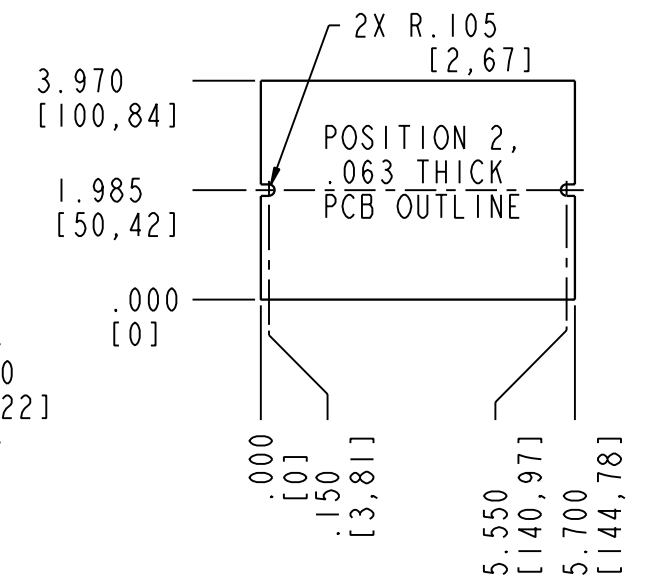
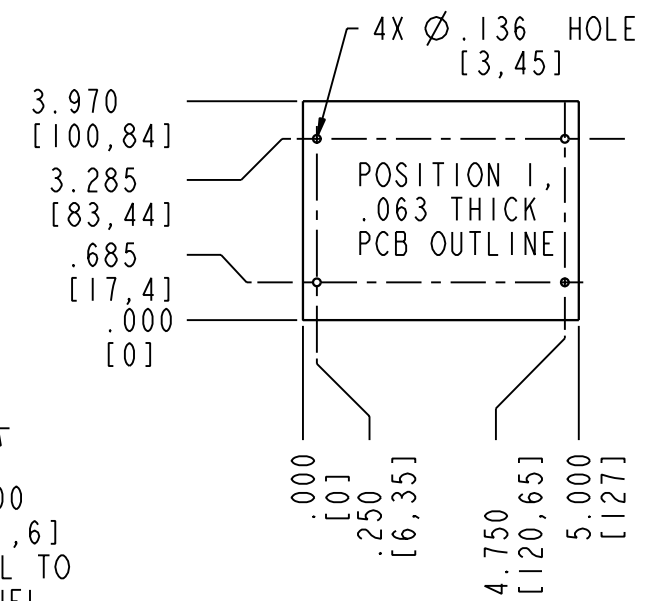
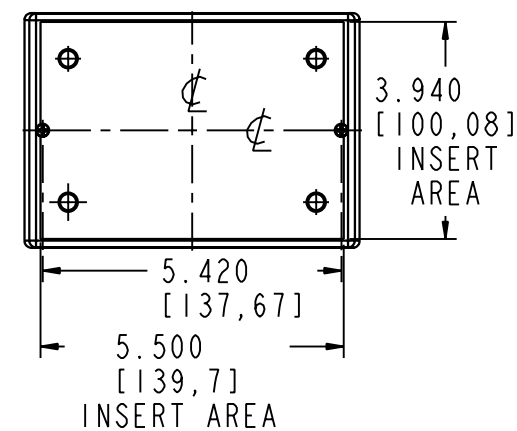
LH64-200



SECTION B-B



SECTION A-A



NOTES:

- USE #4 TYPE B X .25 LG THREAD FORMING SCREWS TO MOUNT PC BOARD.

PACINTEC[®]
1-610-361-4231

LH64-130/200

VISIT **PACINTEC**[®]
ON THE WORLD WIDE WEB
www.pactecenclosures.com

COLOR / MATERIAL CODE		
COLOR	94HB	94VO
BLACK	000	028
P. C. BONE	039	060

INSERT AREAS ARE SECTIONS IN OUR TOOLS THAT CAN BE REMOVED AND REPLACED WITH CUSTOMER SPECIFIC DETAILS

DRAWING NUMBER	REV
71911	F