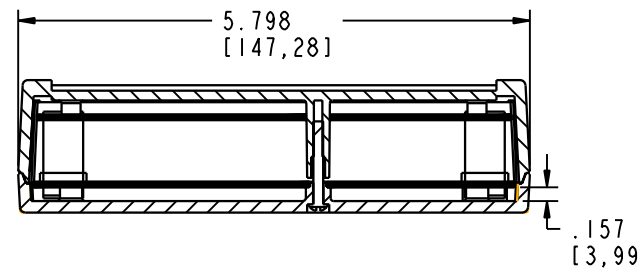
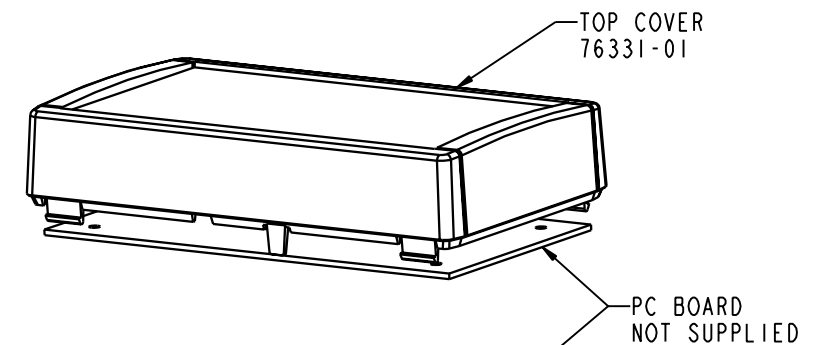


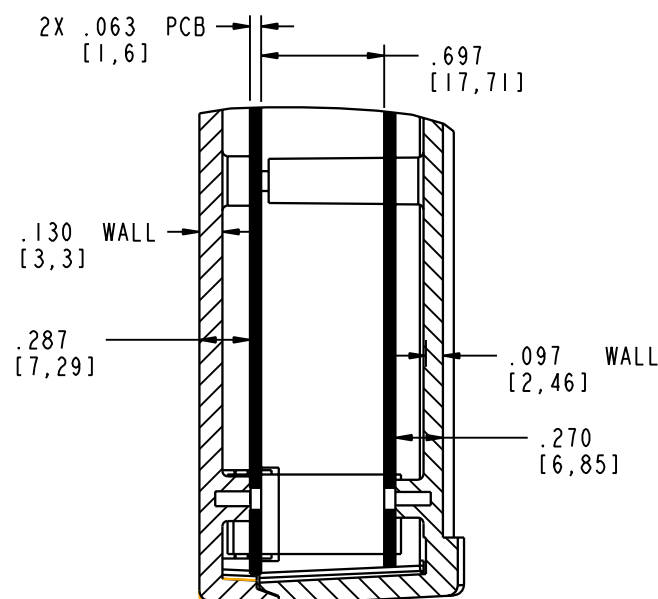
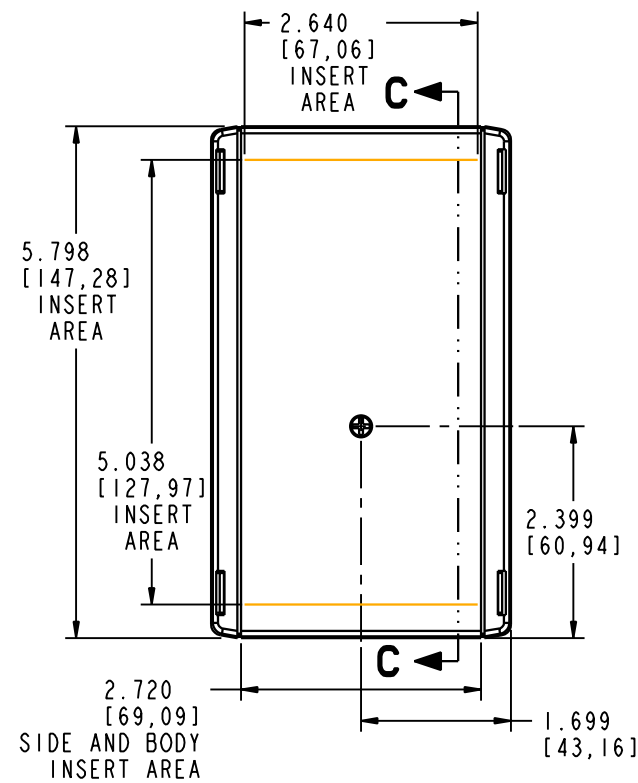
SECTION A-A



SECTION B-B



ASSEMBLY SCREW
60227-16 #4 X .875" PAN HEAD (THREAD FORMING SCREW)



SECTION C-C
SCALE 2.000

PACNTEC[®]
1-610-361-4200

PS36-150

VISIT **PACNTEC**[®]
ON THE WORLD WIDE WEB
www.pactecenclosures.com

COLOR / MATERIAL CODE		
COLOR	94HB	94VO
BLACK	000	028
P.C. BONE	039	060

DRAWING NUMBER	REV
77716	E