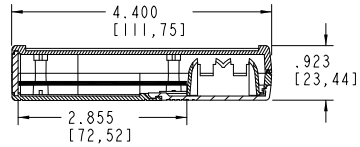
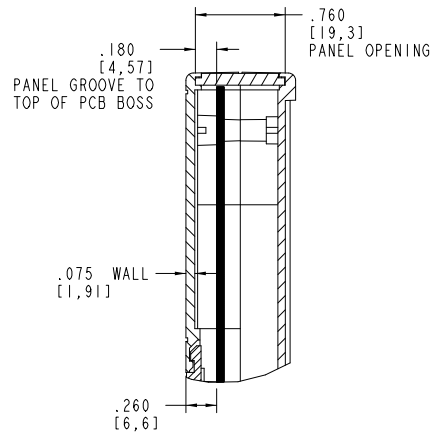
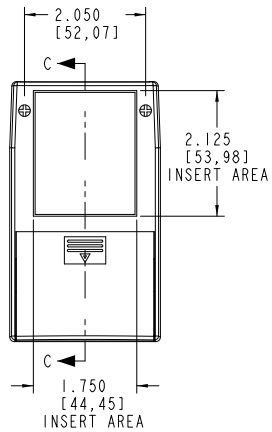


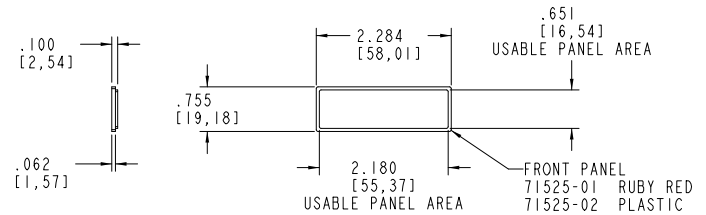
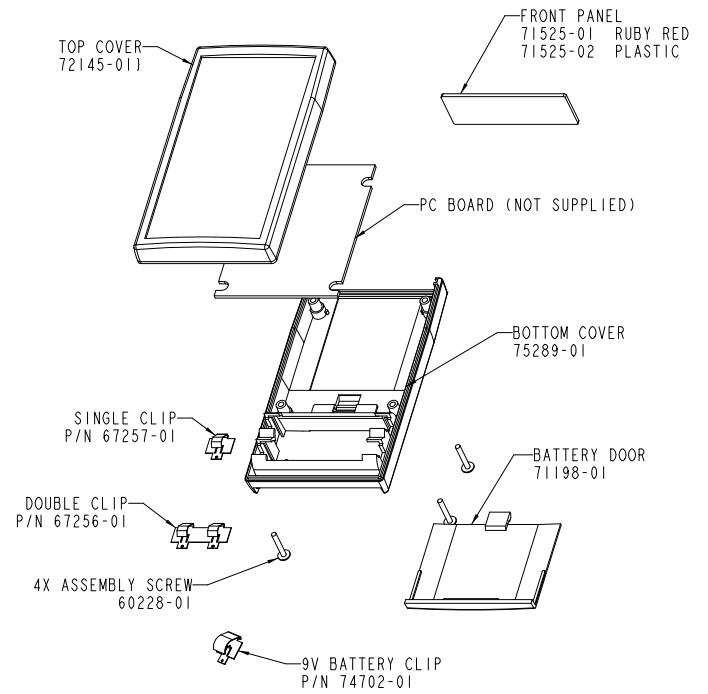
SECTION A-A



SECTION B-B



SECTION C-C
 SCALE 2.000



PACNTEC[®]
 1-610-361-4200

RC-24-9VB/2AA

VISIT **PACNTEC**[®]
 ON THE WORLD WIDE WEB
www.pactecenclosures.com

COLOR / MATERIAL CODE		
COLOR	94HB	94VO
BLACK	000	028
P.C.BONE	039	060

DRAWING NUMBER	REV
77510	E