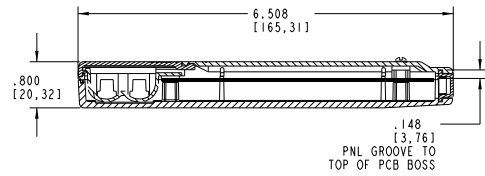
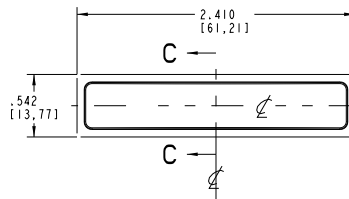


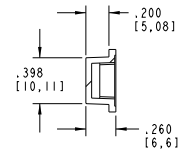
SECTION B-B



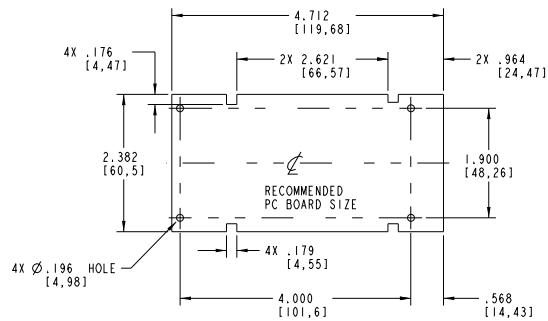
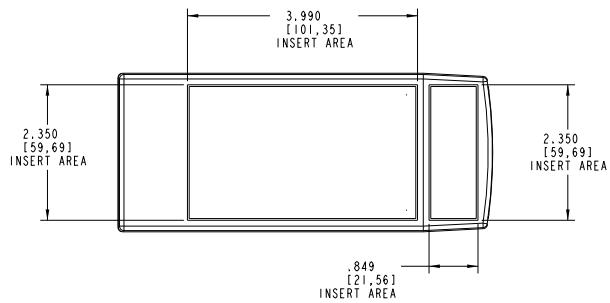
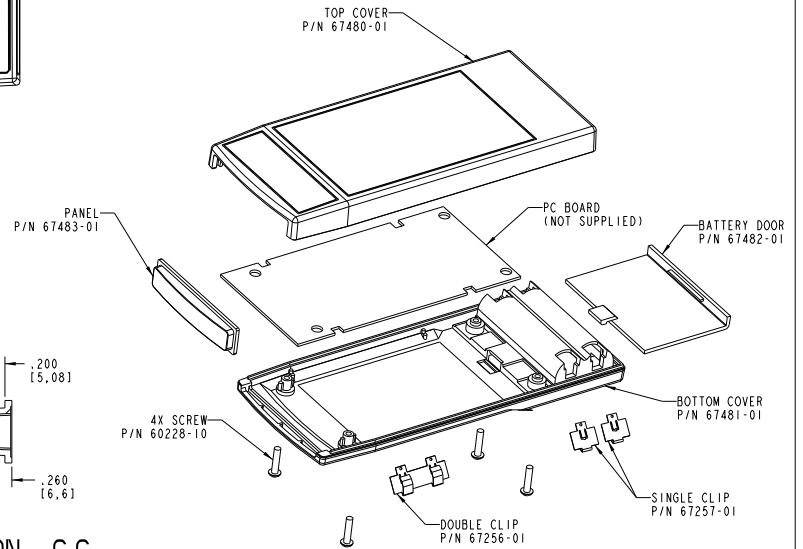
SECTION A-A



PANEL SIZE



SECTION C-C



PACINTEC®
1-610-361-4200

RC37-2AA

VISIT **PACINTEC®**
ON THE WORLD WIDE WEB
www.pactecenclosures.com

| COLOR / MATERIAL CODE | | |
|-----------------------|------|------|
| COLOR | 94HB | 94VO |
| BLACK | 000 | 028 |
| P. C. BONE | 039 | 060 |

| DRAWING NUMBER | REV |
|----------------|-----|
| 68193 | B |