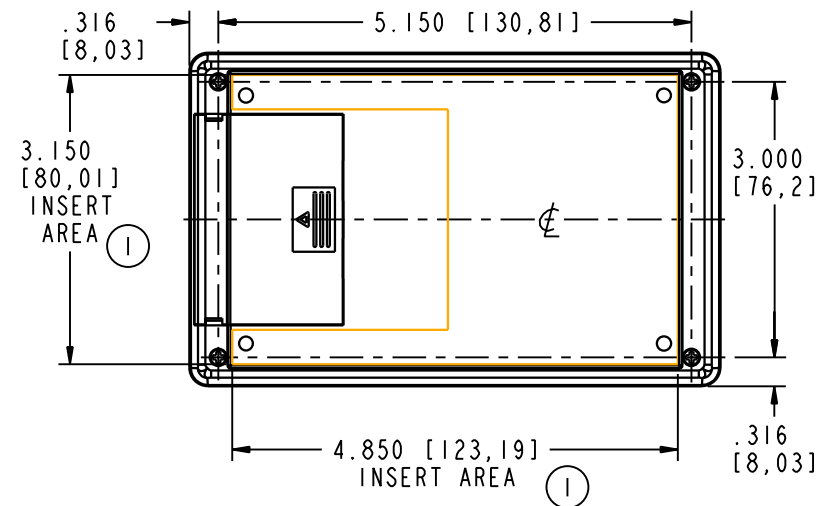
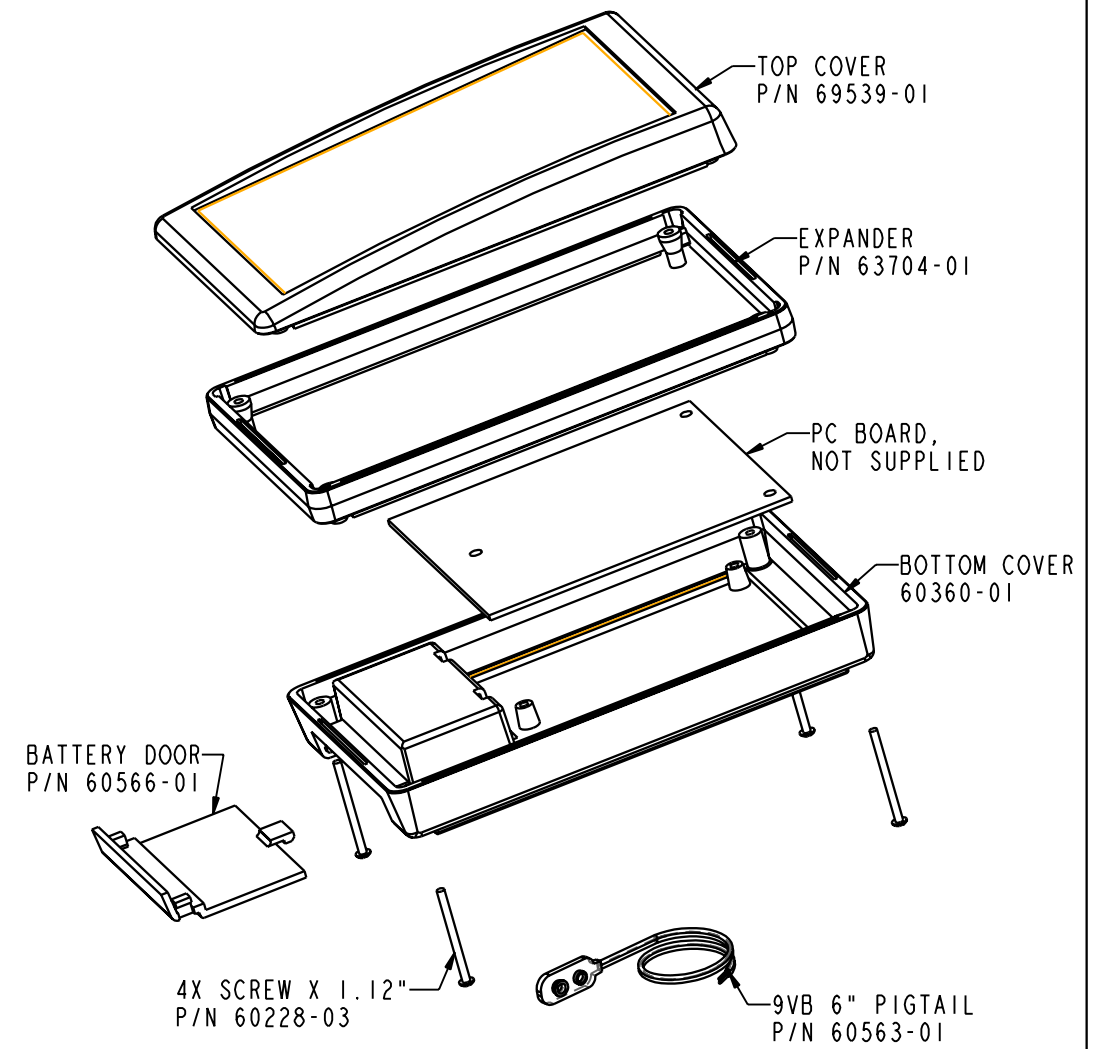
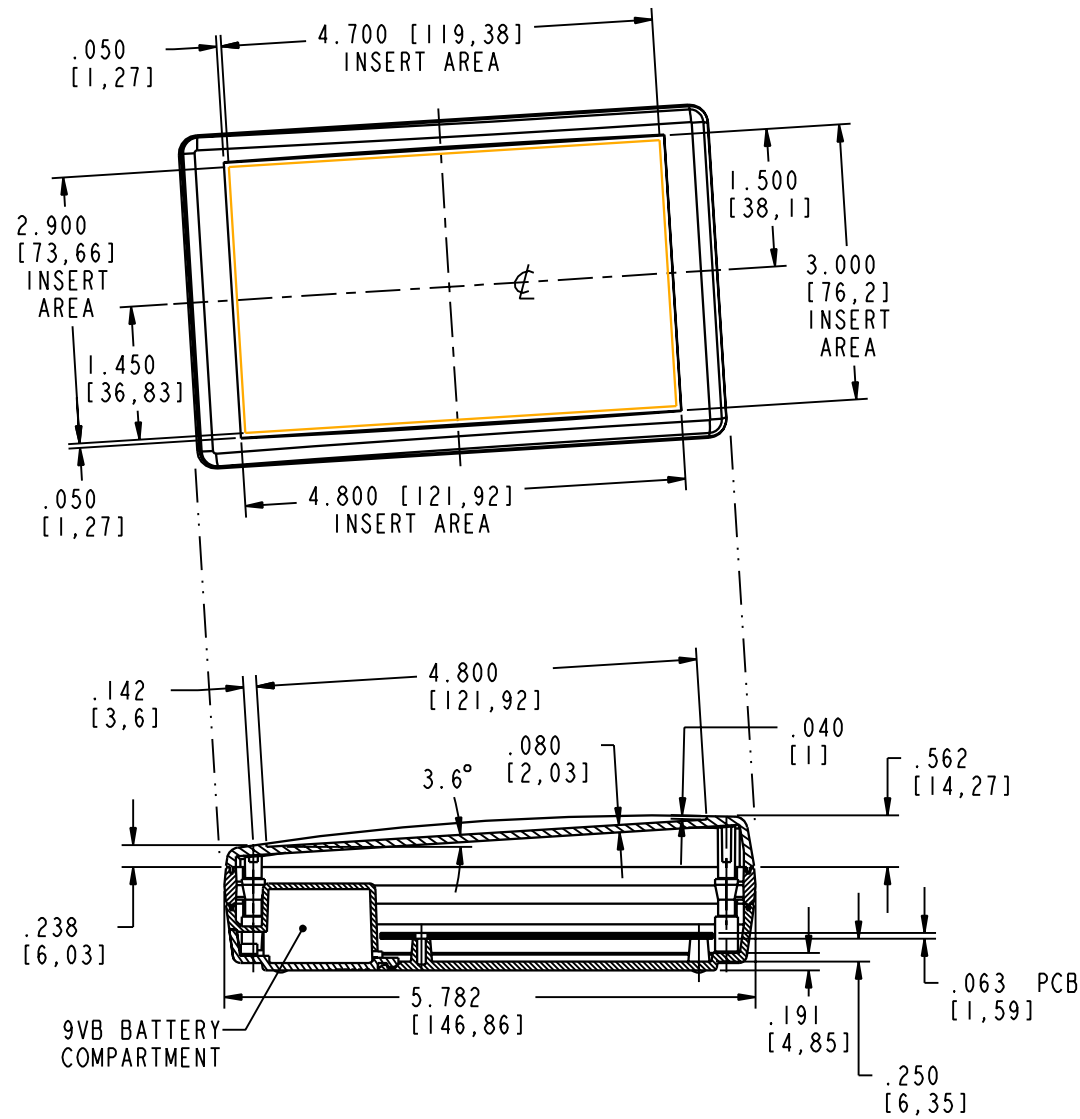
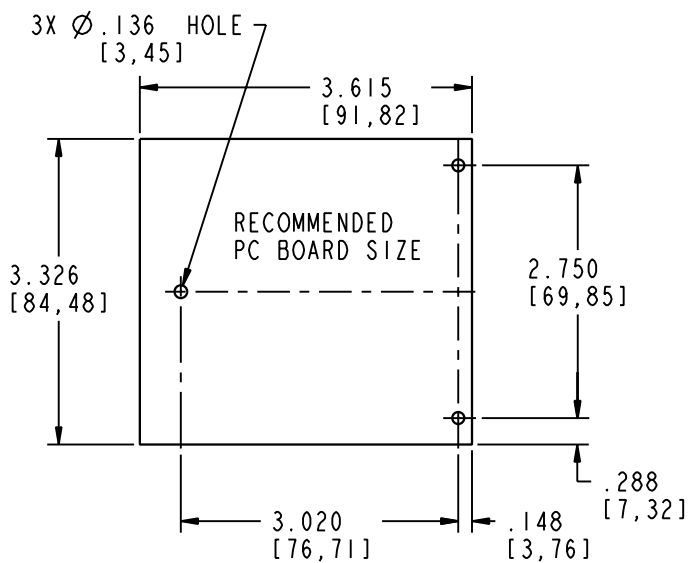
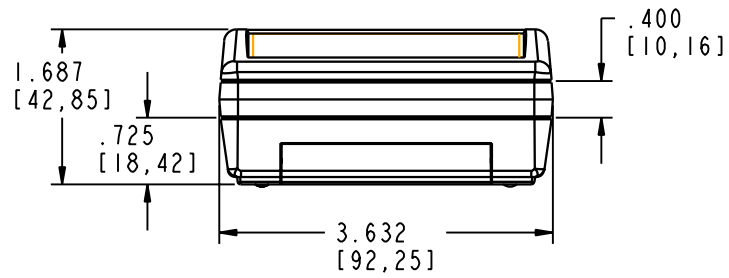


INTERIOR VIEW OF
BOTTOM COVER



NOTES

- 1 EXTERIOR INSERT AREA FOR IN MOLD MODIFICATION.
- 2 INTERIOR INSERT AREA FOR IN MOLD MODIFICATION.
- 3 SCREW FOR MOUNTING P.C.B. #4 THREAD FORMING SCREW X .31 LONG.

PACINTEC[®]
1-610-361-4231

SH-9VB-XH

VISIT **PACINTEC**[®]
ON THE WORLD WIDE WEB
www.pactecenclosures.com

COLOR / MATERIAL CODE		
COLOR	94HB	94VO
BLACK	000	028
P. C. BONE	039	060

DRAWING NUMBER	REV
70192	C