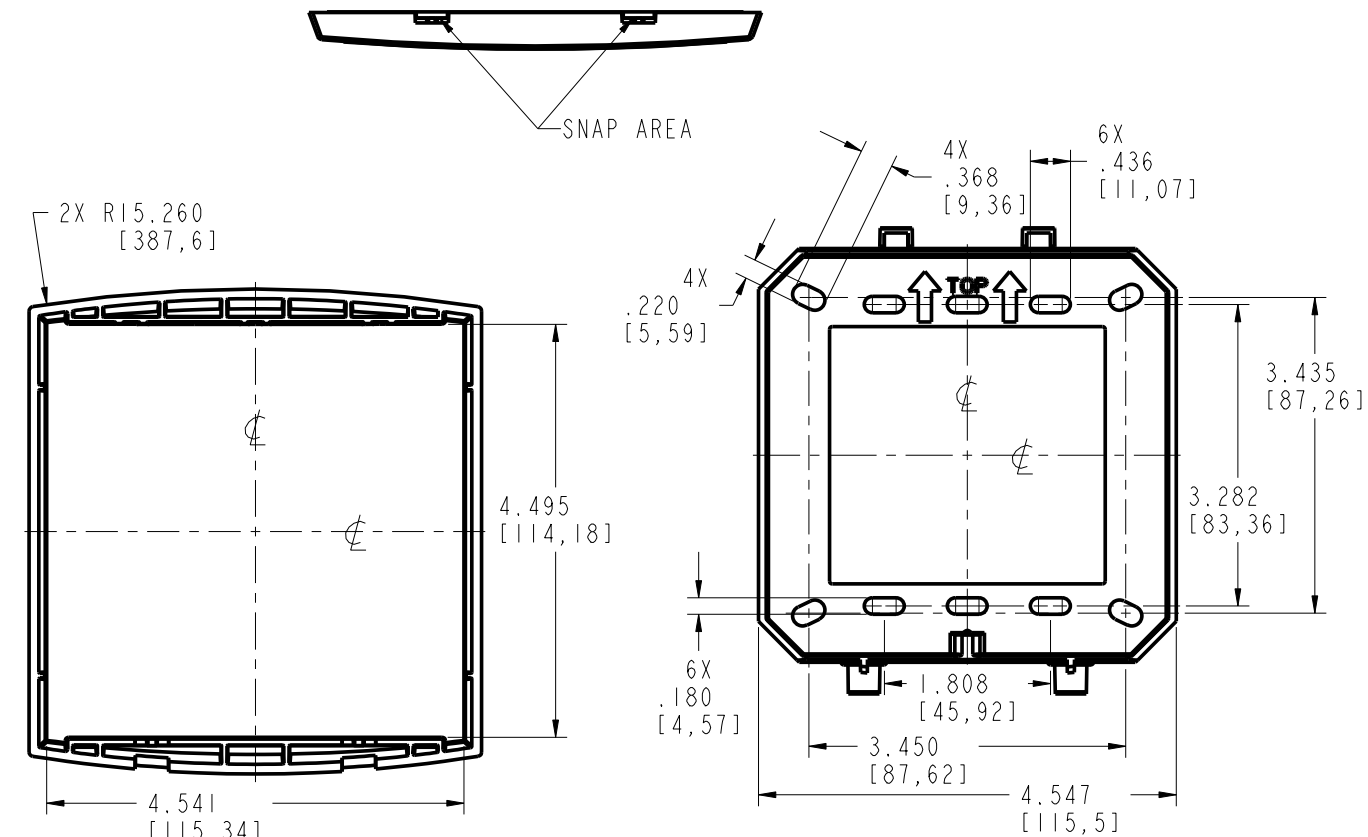
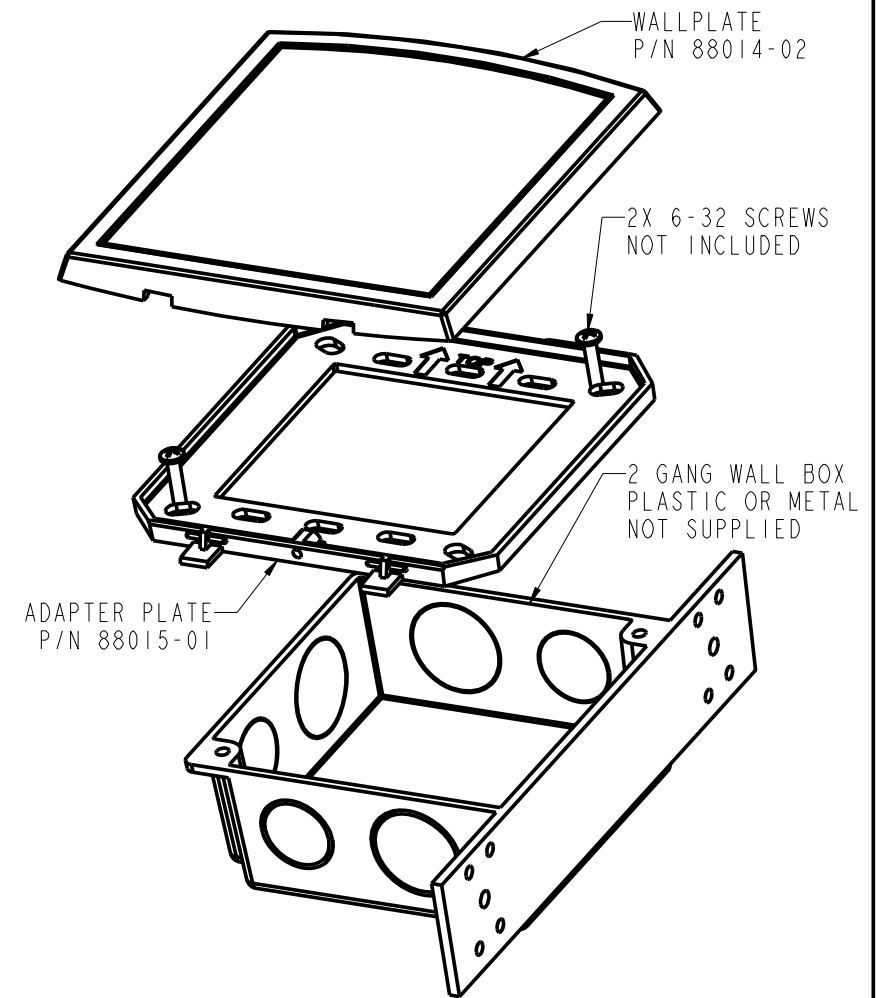
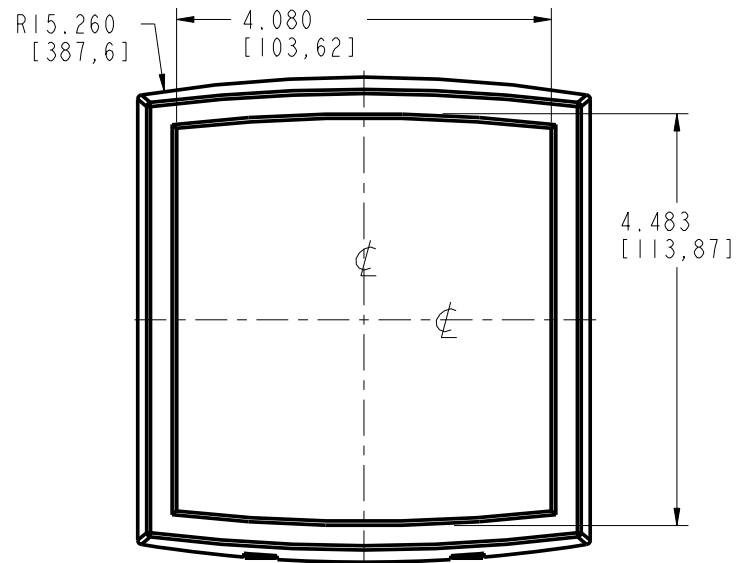
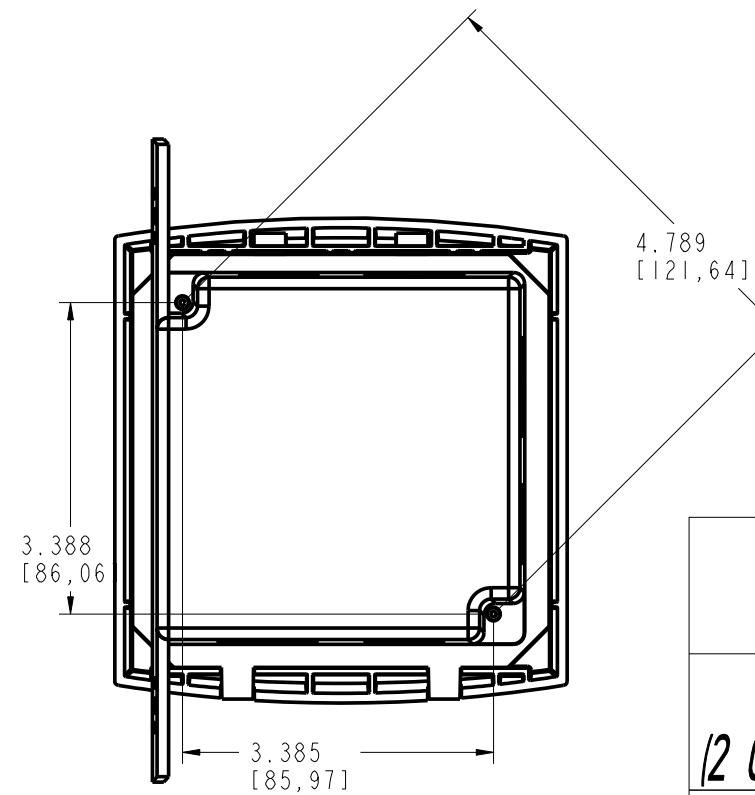


SECTION A-A

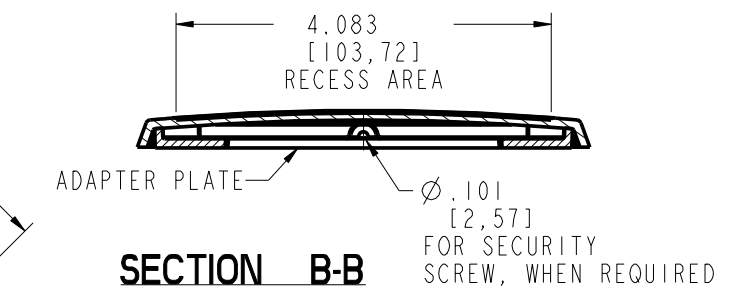


WALLPLATE REAR VIEW

ADAPTER PLATE FRONT VIEW



WALLPLATE ASSEMBLY MOUNTED TO STANDARD WALLBOX



SECTION B-B

**PACNTEC**<sup>®</sup>  
1-610-361-4231

**WP2R**  
**(2 GANG WALLPLATE/W RECESS)**

VISIT **PACNTEC**<sup>®</sup>  
ON THE WORLD WIDE WEB  
[www.pactecenclosures.com](http://www.pactecenclosures.com)

MATERIAL:  
94 VO PCABS

COLOR:  
WALLPLATE WHITE #826  
ADAPTER WHITE #826

INSERT AREAS ARE SECTIONS IN OUR TOOLS THAT CAN BE REMOVED AND REPLACED WITH CUSTOMER SPECIFIC DETAILS

DRAWING NUMBER	REV
88504	02