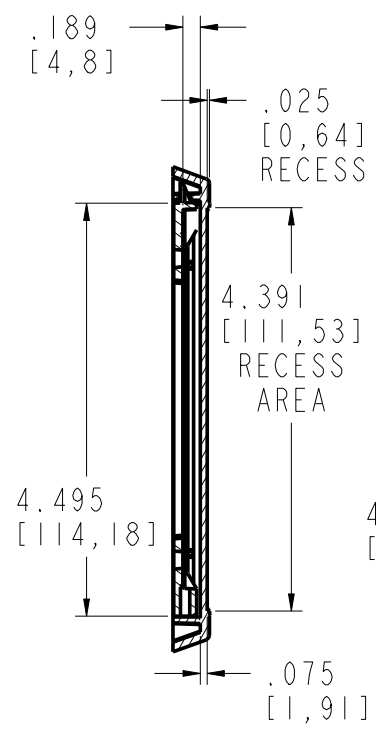
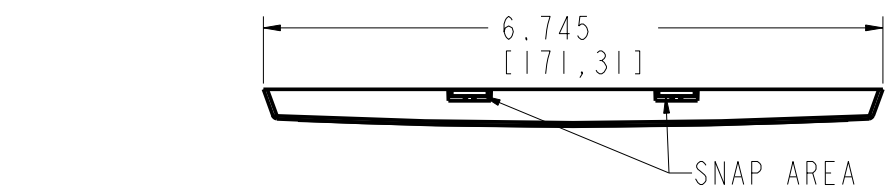
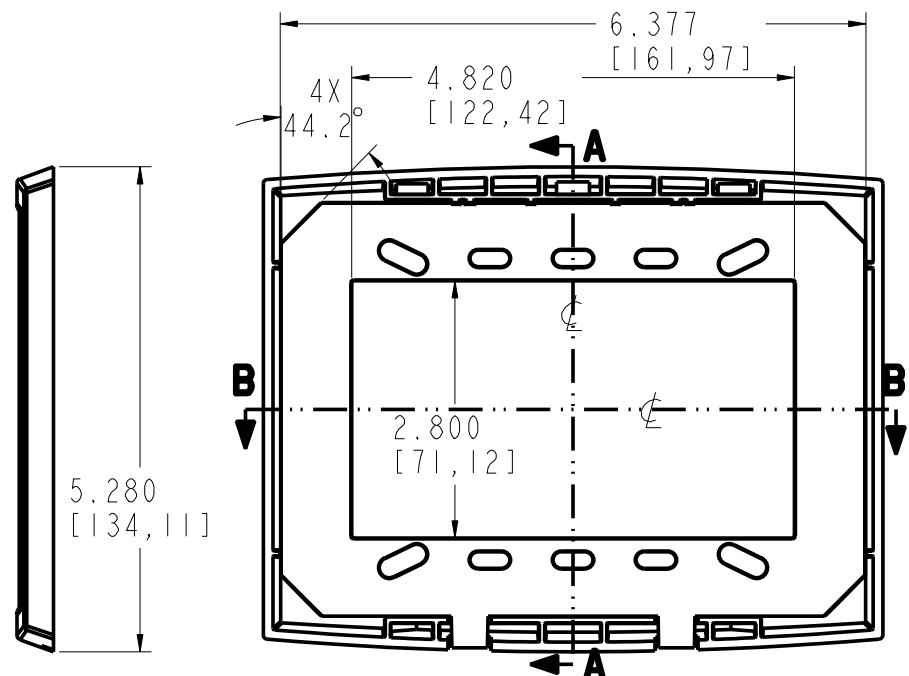
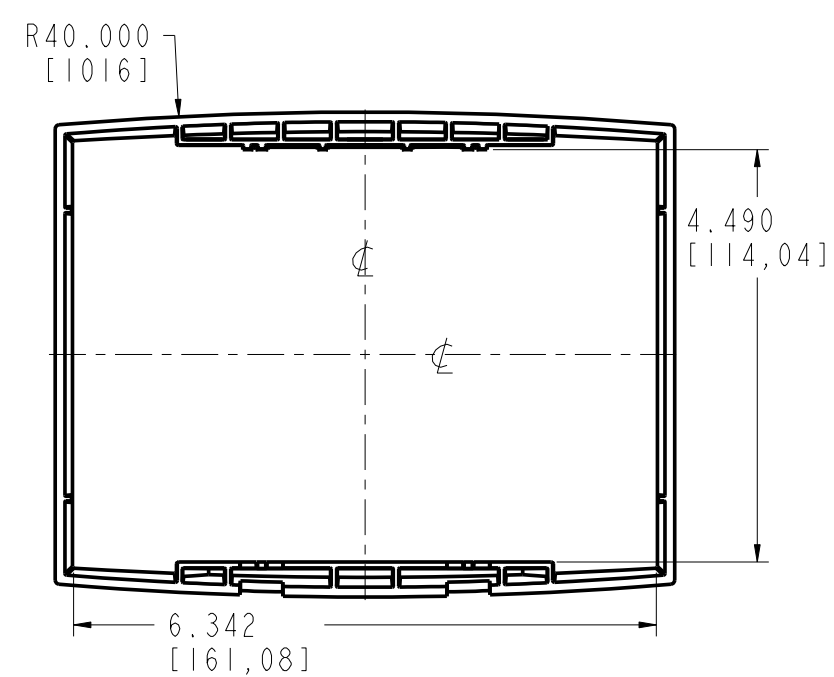
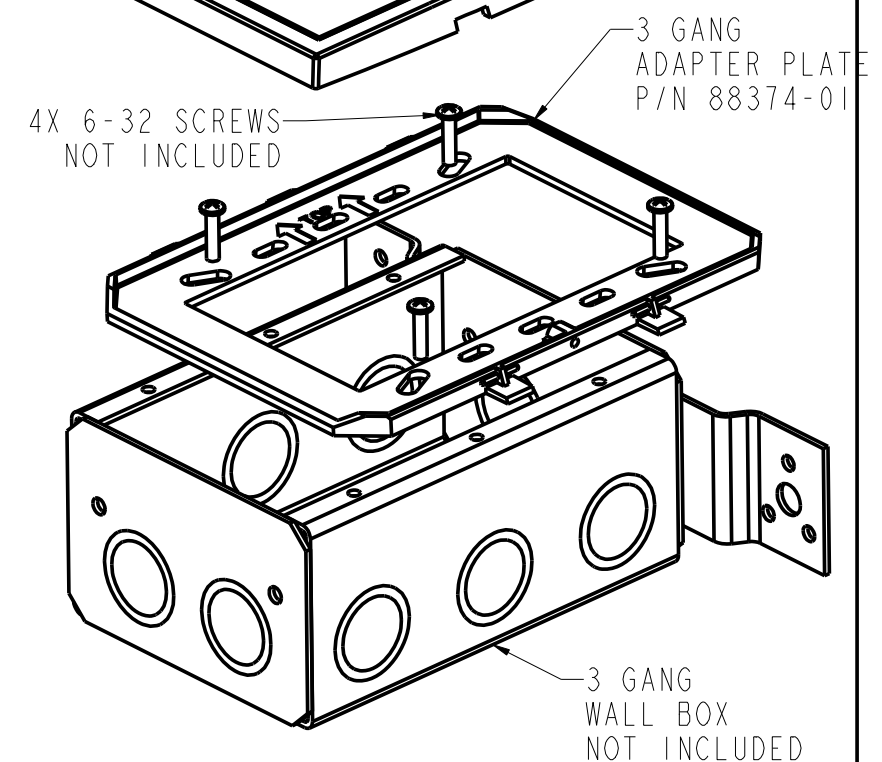
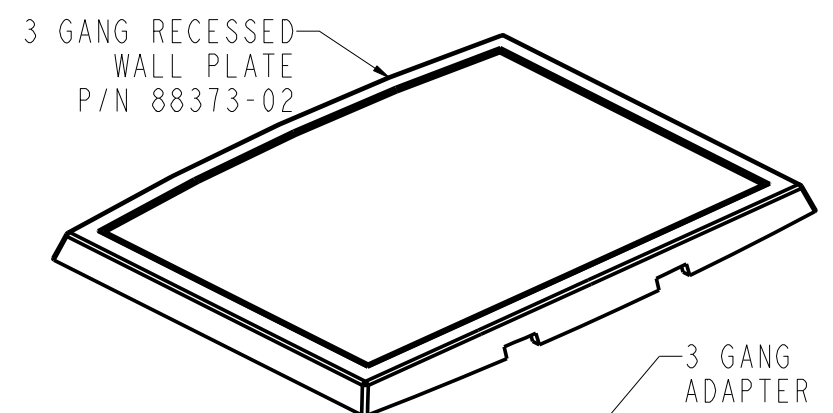
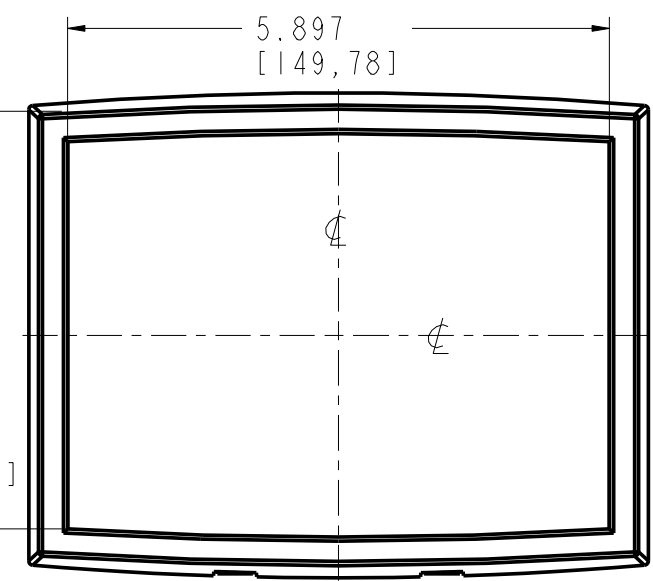


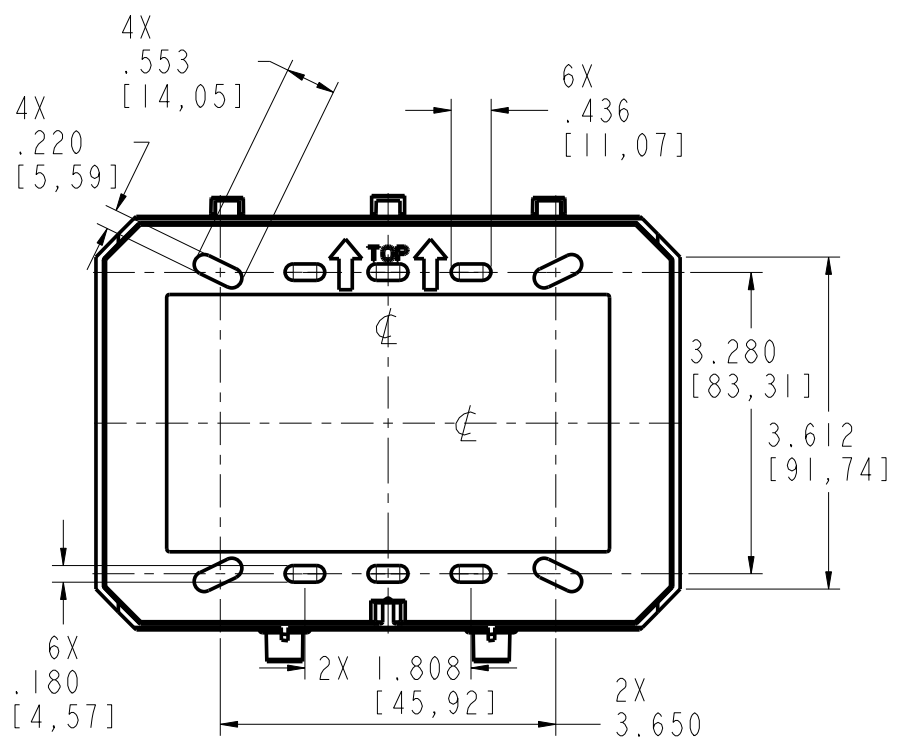
R70.000 [1778] .401 [10,19]



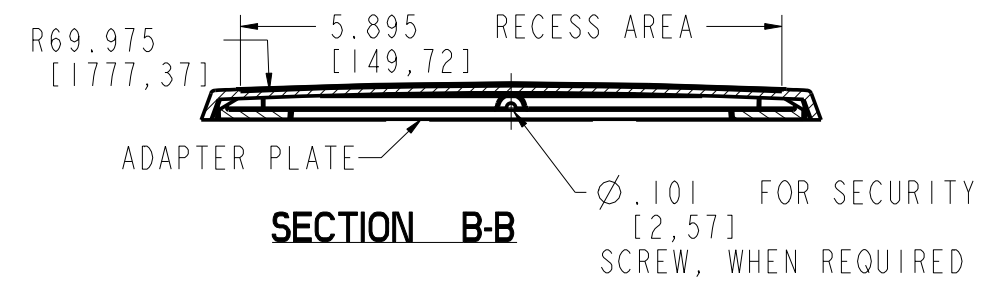
SECTION A-A



WALLPLATE REAR VIEW



ADAPTER PLATE FRONT VIEW



SECTION B-B

**PACNTEC**<sup>®</sup>  
1-610-361-4231

**WP3R**  
**(3 GANG WALLPLATE W/RECESS)**

VISIT **PACNTEC**<sup>®</sup>  
ON THE WORLD WIDE WEB  
[www.pactecenclosures.com](http://www.pactecenclosures.com)

MATERIAL:  
94 VO PCABS

COLOR:  
WALLPLATE WHITE #826  
ADAPTER WHITE #826

INSERT AREAS ARE SECTIONS IN OUR TOOLS THAT CAN BE REMOVED AND REPLACED WITH CUSTOMER SPECIFIC DETAILS

DRAWING NUMBER	REV
88378	01