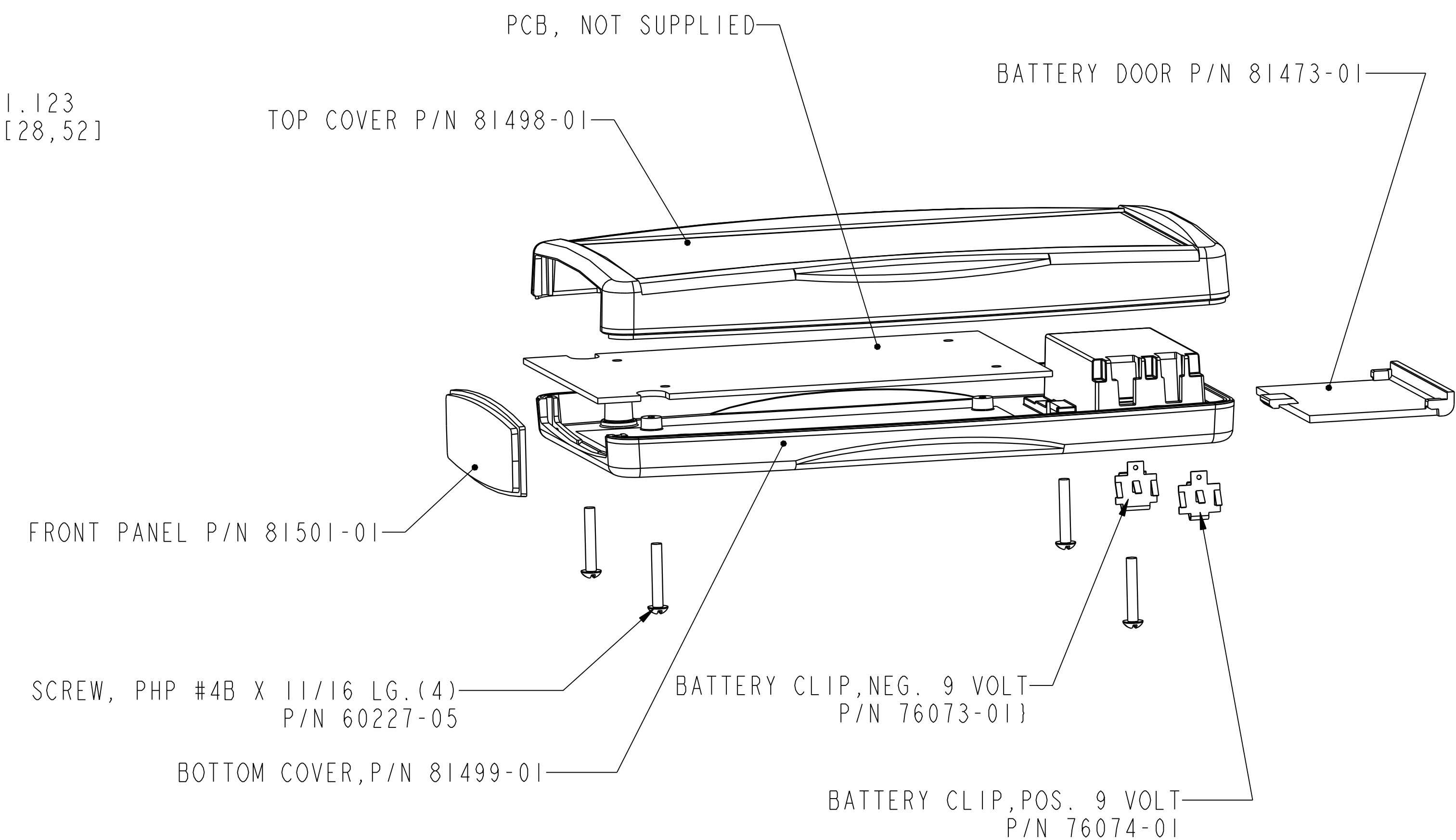
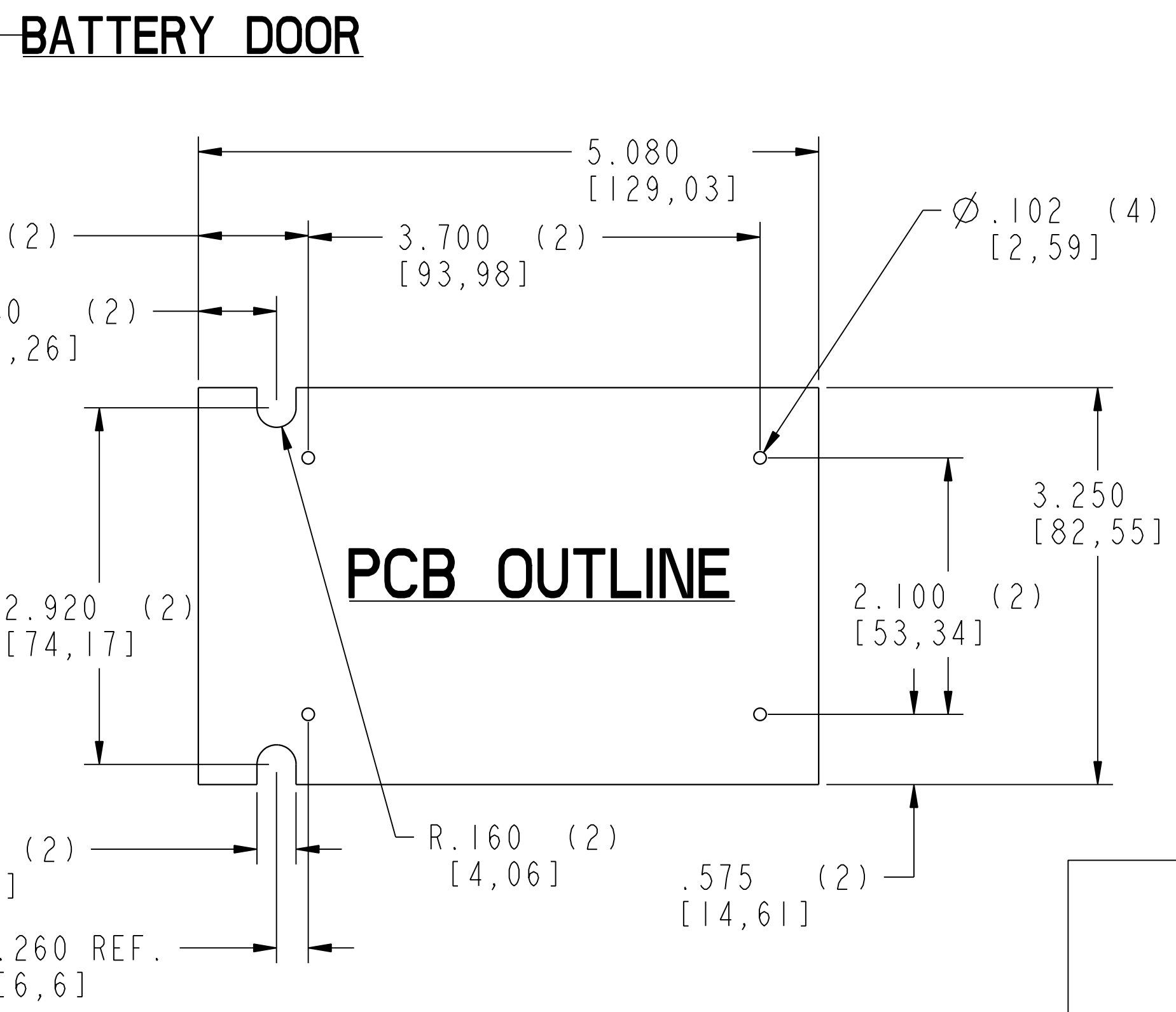
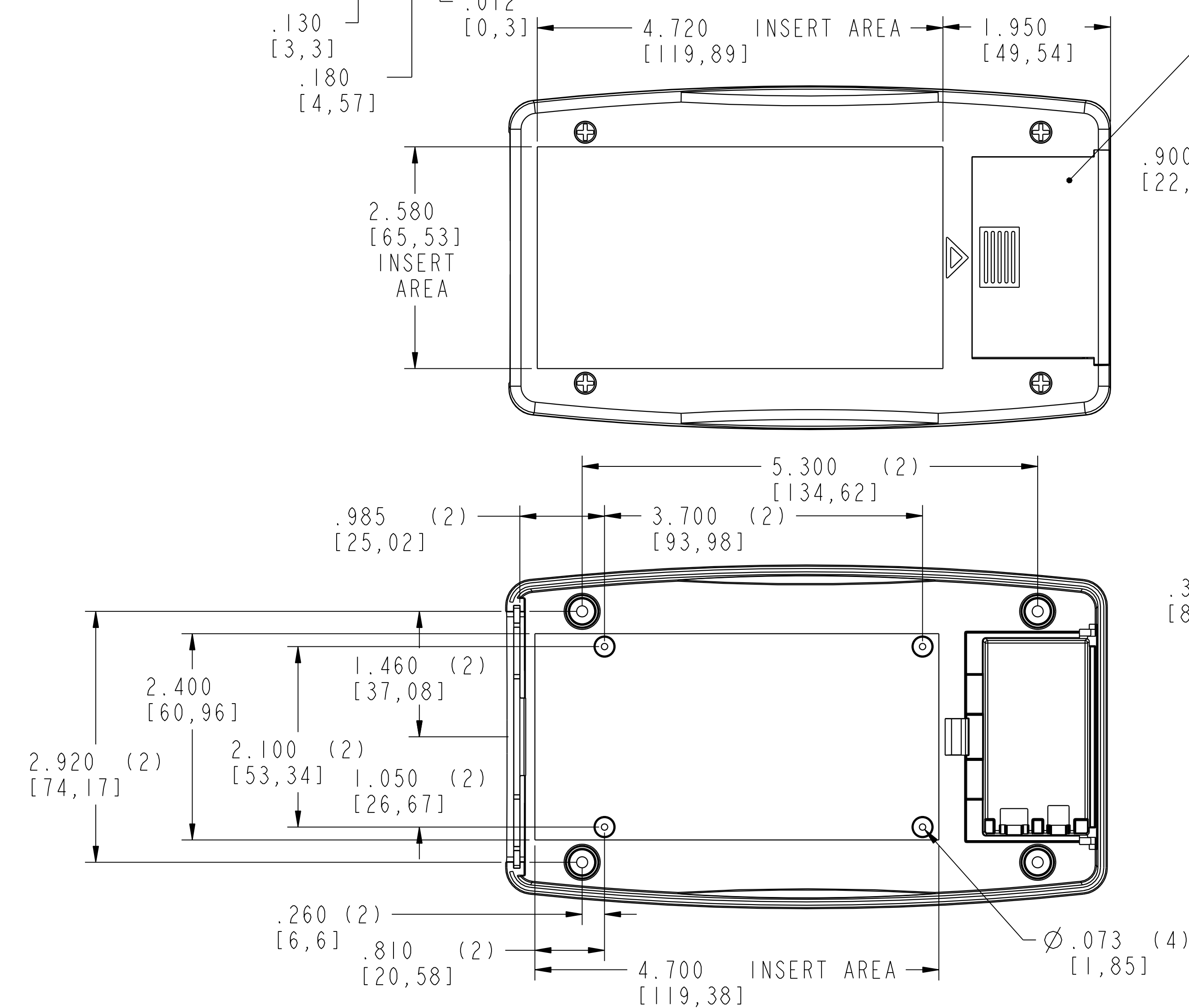


SECTION A-A



BATTERY DOOR



SUGGESTED PCB MTG. SCREW
 PHP #2B X 1/4 LG.
 WITH #2 PLASTIC WASHER

PACNTEC®
 1-610-361-4286

XPL-9VB

VISIT **PACNTEC®**
 ON THE WORLD WIDE WEB
www.pactecenclosures.com

INSERT AREAS ARE SECTIONS IN OUR TOOLS
 THAT CAN BE REMOVED AND REPLACED WITH
 CUSTOMER SPECIFIC DETAILS

DRAWING NUMBER	REV
81541	A