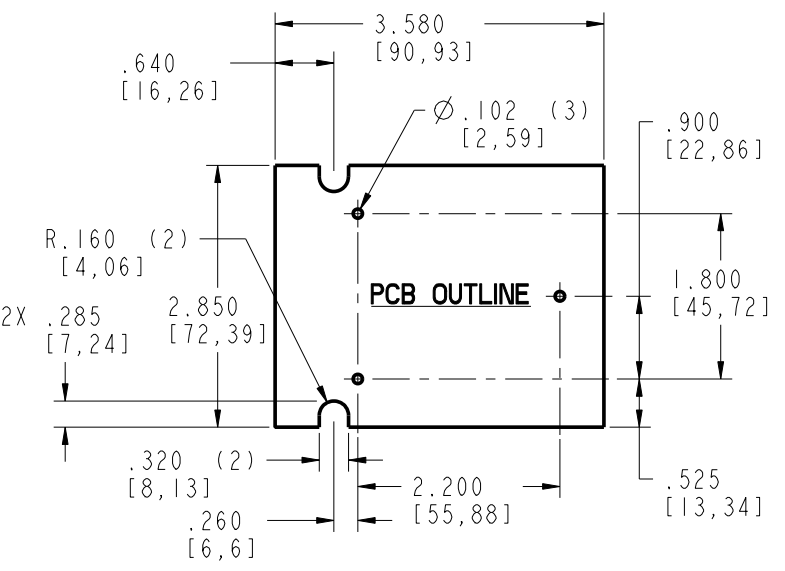
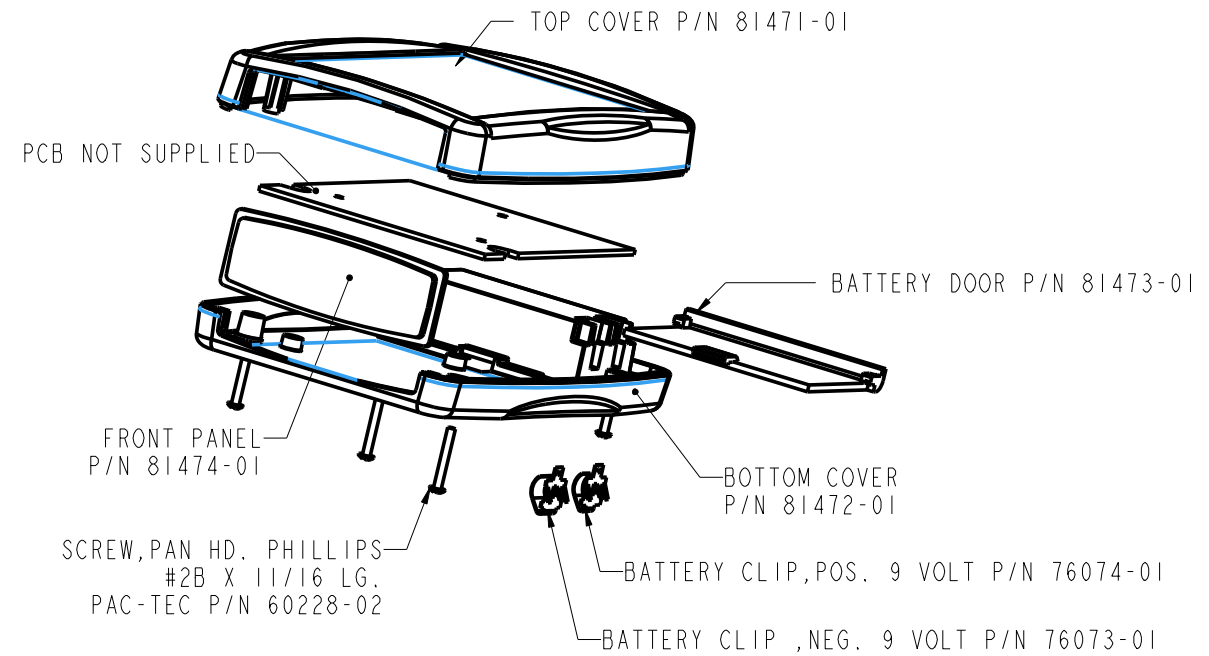
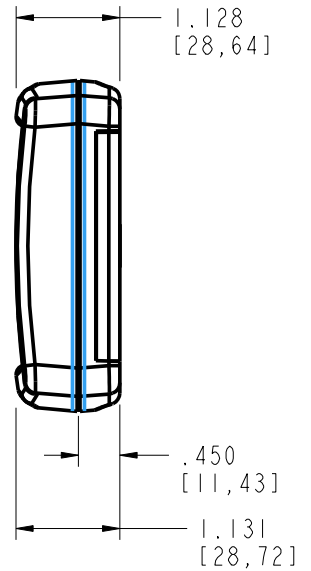
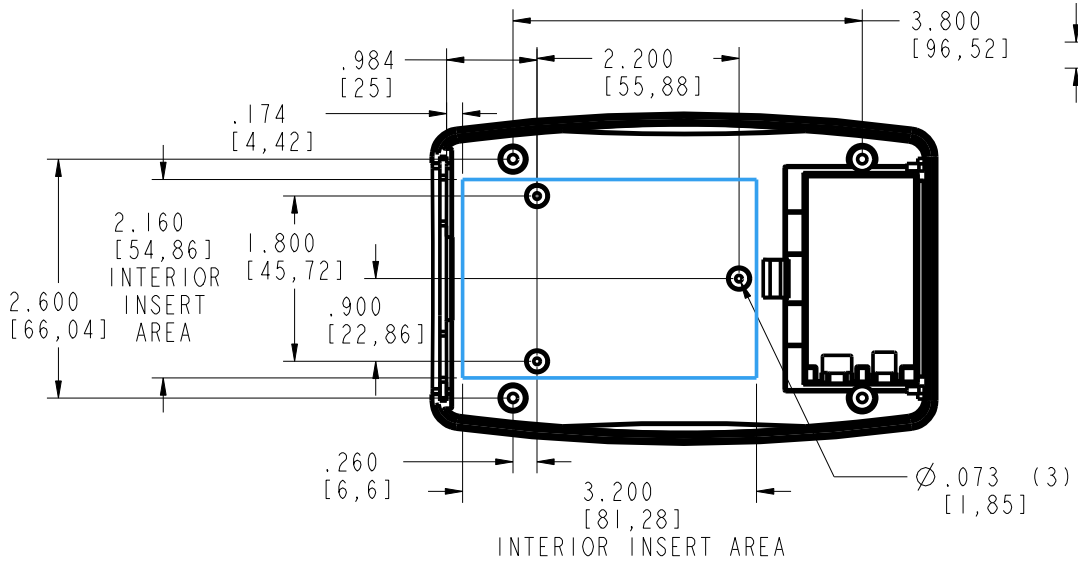
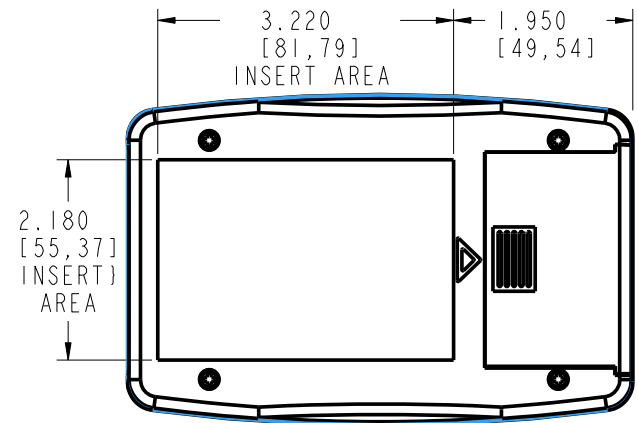


SECTION A-A
 SCALE 1.000



SUGGESTED PCB MTG. SCREW
 PHP #2 TYPE B X 1/4 LG.
 WITH A #2 (.016 TK) PLASTIC WASHER.

PACINTEC[®]
 1-610-361-4231

XP-9VB

VISIT **PACINTEC**[®]
 ON THE WORLD WIDE WEB
www.pactecenclosures.com

COLOR / MATERIAL / CODE		
COLOR	94HB	94V-0
BLACK	000	028
PC BONE	039	060

INSERT AREAS ARE SECTIONS IN OUR TOOLS THAT CAN BE REMOVED AND REPLACED WITH CUSTOMER SPECIFIC DETAILS

DRAWING NUMBER	REV
81539	D