

Technische Daten

Allgemeine Beschreibung

Die D480Q-Baureihe ist mit einem bürstenlosen Motor, mit integrierter Elektronik (3 Litzenversion; V_P, GND, Tachosignal) ausgerüstet.

Feature:

- Tachosignal
- Strombegrenzung

Technical data

General description

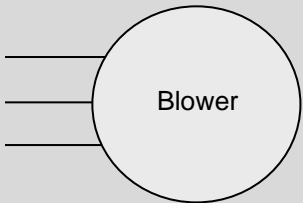
The serie D480Q is equipped with a brushless motor, with integrated electronic (3 leadsversion; V_P, GND, Tachosignal).

Feature:

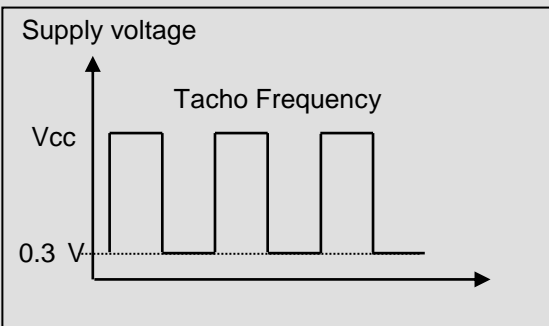
- Tacho signal
- Current limitation

		D48.Q-012KA-9
U _N	VDC	12
U	VDC	7 – 15.6
I _{N freeblowing}	mA	875
I _{N work. point}	mA	830
I _{N static}	mA	875
I _{max}	A	3
P _{N work. point}	W	10
n _{freeblowing}	min ⁻¹	9'800
n _{work. point}	min ⁻¹	10'150
n _{static}	min ⁻¹	9'600
V _{freeblowing}	l/min	510
V _{work. point}	l/min	240
p _{work. point}	Pa	140
p _{static}	Pa	220
LpA	dB(A)	54
T	°C	-40...+85
m	gr	170
Leads	mm	190 (AWG26)
Housing Material		Aluminium anodised
Ball Bearing		•
Tacho		•

Data's at Density: 1.2kg/m³

D48.Q-012KA-9			
Electrical circuit	Description	Lead wire	Diagram
	V _{cc} + Power GND Ground FG Frequency signal	red black yellow	

Vcc Voltage range 7-15.6 VDC

FG Frequency signal	<p>Open drain output: pull-up resistor (22kΩ) to V_P is integrated. (max. 10mA, no direct connection to GND and V_P) $f_{Tacho} [Hz] * 20 = rpm [1/min]$ (2 pol. Motor)</p> 
----------------------------	---



Exceeding the blower limits during continuous operation may cause permanent damage!
Handle only in currentless condition!
No polarity protection!

Info	<p>Specifications are subject to change without notice. Specifications on this Datasheet are for reference.</p> <p>Version: 28.10.2014 / DH Doc: D480_Ex.docx</p>
-------------	---