

Baureihen / Series

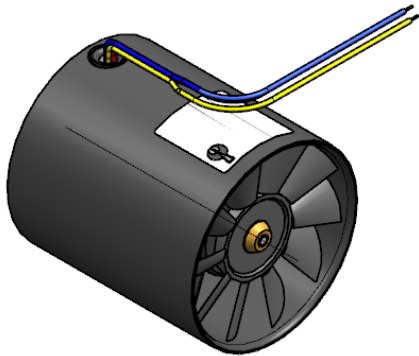
D600 Ex



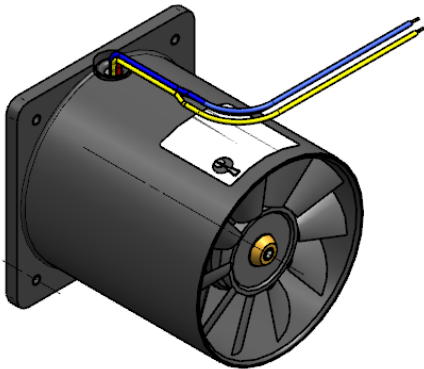
SN EN ISO 9001-2008 CERTIFICATED

Miniatur Axial Gebläse
Miniature Axial Blower

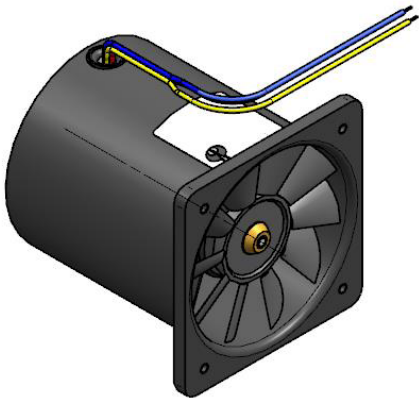
explosion proof



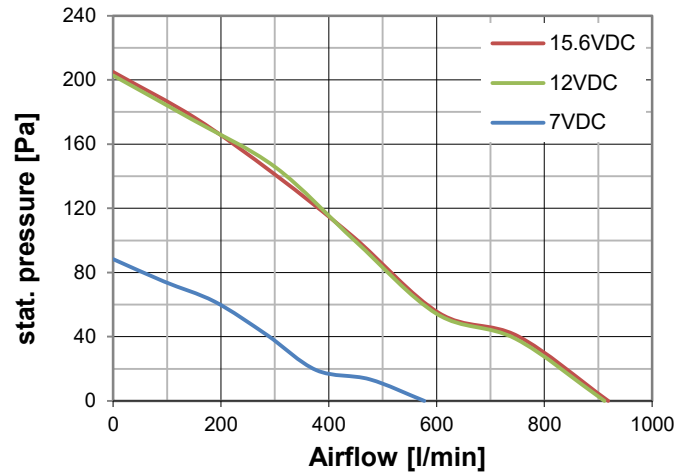
D601Q-012KA-9



D603Q-012KA-9



D604Q-012KA-9

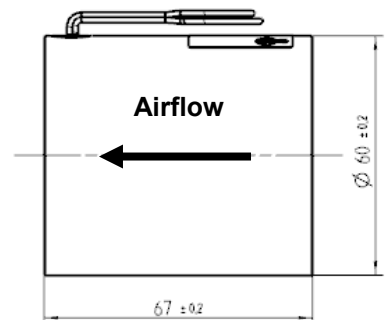
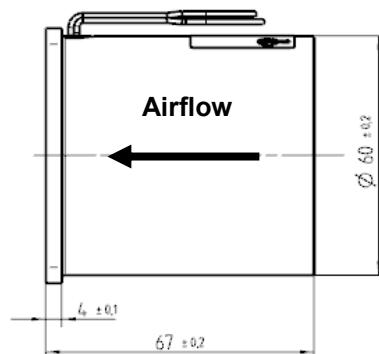
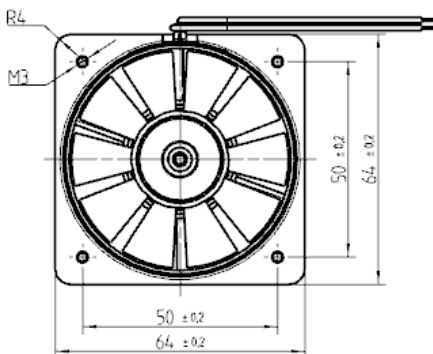


D603Q-012KA-9
U_{max.} 15.6VDC I_{max.} 3A

CE II 3 G

Ex nC IIC Gc U
IP67 ISOL.KI. F
-40°C ≤ T_a ≤ +85°C

0346 462888 25



Technische Daten

Allgemeine Beschreibung

Die D600Q-Baureihe ist mit einem bürstenlosen Motor, mit integrierter Elektronik (3 Litzenversion; V_P, GND, Tachosignal) ausgerüstet.

Feature:

- Tachosignal
- Strombegrenzung

Technical data

General description

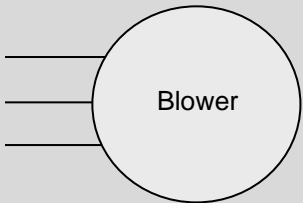
The serie D480Q is equipped with a brushless motor, with integrated electronic (3 leadsversion; V_P, GND, Tachosignal).

Feature:

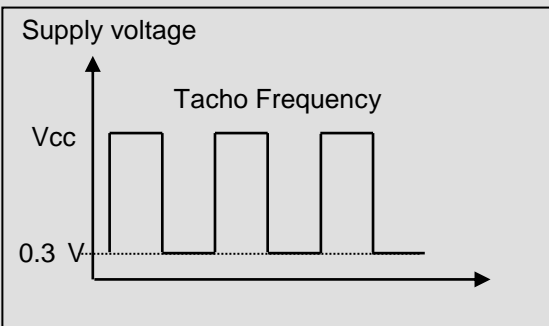
- Tacho signal
- Current limitation

| | | D60.Q-012KA-9 |
|----------------------------|-------------------|--------------------|
| U _N | VDC | 12 |
| U | VDC | 7 – 15.6 |
| I _{N freeblowing} | mA | 820 |
| I _{N work. point} | mA | 820 |
| I _{N static} | mA | 905 |
| I _{max} | A | 3 |
| P _{N work. point} | W | 9.8 |
| n _{freeblowing} | min ⁻¹ | 8'200 |
| n _{work. point} | min ⁻¹ | 8'230 |
| n _{static} | min ⁻¹ | 7'130 |
| V _{freeblowing} | l/min | 900 |
| V _{work. point} | l/min | 450 |
| p _{work. point} | Pa | 100 |
| p _{static} | Pa | 200 |
| LpA | dB(A) | 57 |
| T | °C | -40...+85 |
| m | gr | 180 |
| Leads | mm | 190 (AWG26) |
| Housing Material | | Aluminium anodised |
| Ball Bearing | | • |
| Tacho | | • |

Data's at Density: 1.2kg/m3

| D60.Q-012KA-9 | | | |
|---------------------------|--|------------------------|---|
| Electrical circuit | Description | Lead wire | Diagram |
| | V _{cc} + Power GND Ground FG Frequency signal | red black yellow |  |

Vcc Voltage range 7-15.6 VDC

| | |
|----------------------------|---|
| FG Frequency signal | Open drain output: pull-up resistor (22kΩ) to V _P is integrated . (max. 10mA, no direct connection to GND and V _P) $f_{Tacho} [Hz] * 20 = rpm [1/min]$ (2 pol. Motor) |
| |  |



Exceeding the blower limits during continuous operation may cause permanent damage!
Handle only in currentless condition!
No polarity protection!

| | |
|-------------|---|
| Info | Specifications are subject to change without notice. Specifications on this Datasheet are for reference. |
| | Version: 19.09.2014 / DH Doc: D600_Ex.docx |