

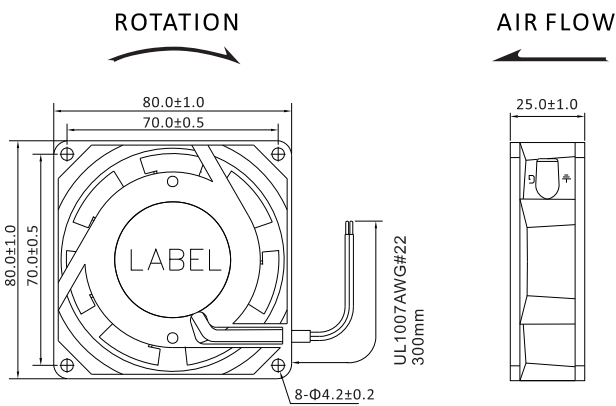
80x80x25mm  
AC 100-120V & 200-240V



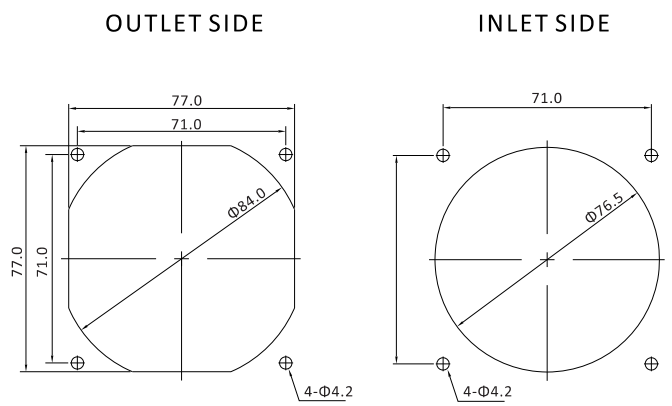
**General Specifications**

- ◆ Material..... Frame: Aluminum Alloy, Impeller: Plastic (UL94V-0)  
Lead Wire: UL1007 22# black Terminal: 2.5mm
- ◆ Motor..... Shaded Pole & Internal Rotor Motor
- ◆ Input Voltage..... 110V/220V (optional)
- ◆ Dielectric Strength..... 50/60Hz, 1500VAC 1Min (between input terminal and frame)
- ◆ Expected Life..... Ball Bearing 50000hrs, Sleeve Bearing 30000hrs (40°C)
- ◆ Temperature Range..... Operating temperature -10°C~+70°C (Non-condensing)  
Storage temperature -40°C~+70°C (Non-condensing)

**Dimensions (Unit: mm)**

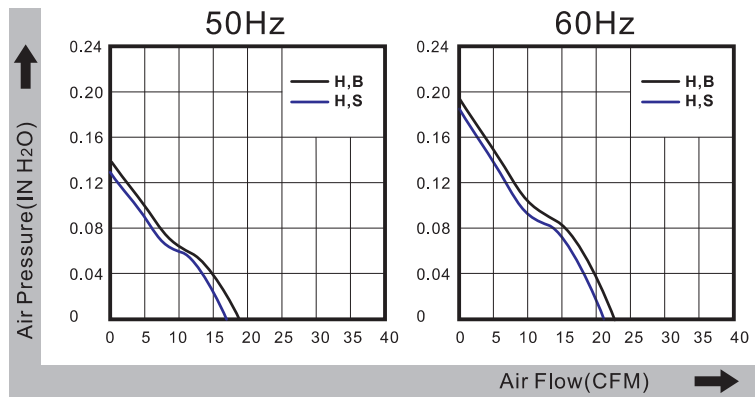


**Mounting Panel Cutout (Unit: mm)**



AA08025 AC Fan

**PQ Curve (At Rated Voltage)**



**Safety Standards**



**Specifications**

Model	Bearing Type	Rated Voltage	Frequenz	Rated Current	Input Power	Speed	Max Air Flow	Max Static Pressure	Noise	Weight		
Part No. B/S	B/S	VAC	Hz	Amp	Watt	RPM	CFM	m <sup>3</sup> /min	Inch-H2O	PA	dB-A	g
AA08025S11HL(T)	S	100~120	50	0.14	13	2300	17	0,481	0,13	32	30	230
AA08025S11HL(T)	S	100~120	60	0.12	11	2700	21	0,594	0,18	45	34	230
AA08025S22HL(T)	S	200~240	50	0.14	13	2300	17	0,481	0,13	32	30	230
AA08025S22HL(T)	S	200~240	60	0.14	11	2700	21	0,594	0,18	45	34	230
AA08025B11HL(T)	DB	100~120	50	0.14	13	2400	18	0,509	0,14	35	31	230
AA08025B11HL(T)	DB	100~120	60	0.12	11	2800	21	0,594	0,19	47	35	230
AA08025B22HL(T)	DB	200~240	50	0.14	13	2400	18	0,509	0,14	35	31	230
AA08025B22HL(T)	DB	200~240	60	0.14	11	2800	21	0,594	0,19	47	35	230