

172x150x38mm
100-120V & 200-240V

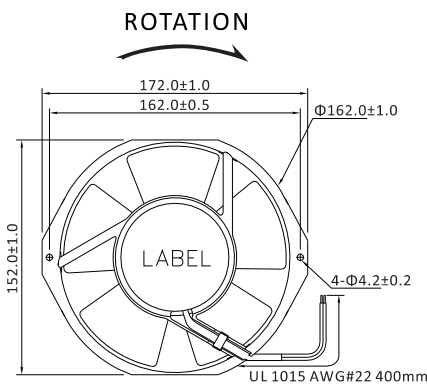


AA17238 AC Fan

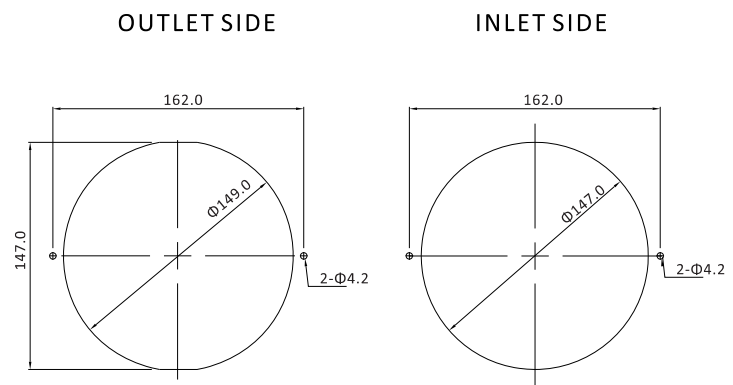
General Specifications

- ◆ Material..... Frame: Aluminum Alloy, Impeller: Plastic (UL94V-0)
Lead Wire: UL1015 22# black Terminal: 2.5mm
- ◆ Motor..... Shaded Pole & Internal Rotor Motor
- ◆ Input Voltage..... 110V/220V (optional)
- ◆ Dielectric Strength..... 50/60Hz, 1500VAC 1Min (between input terminal and frame)
- ◆ Expected Life..... Ball Bearing 50000hrs (40°C)
- ◆ Temperature Range..... Operating temperature -10°C~+70°C (Non-condensing)
Storage temperature -40°C~+70°C (Non-condensing)

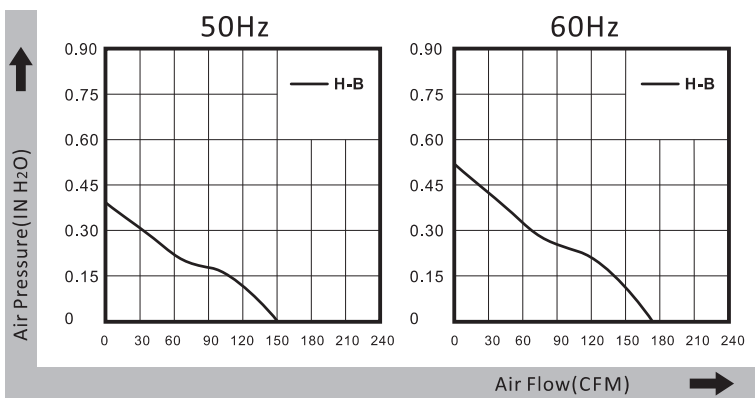
Dimensions (Unit: mm)



Mounting Panel Cutout (Unit: mm)



PQ Curve (At Rated Voltage)



Safety Standards



Specifications

Model	Bearing Type	Rated Voltage	Frequenz	Rated Current	Input Power	Speed	Max Air Flow		Max Static Pressure		Noise	Weight
Part No.	DB/S	VAC	Hz	Amp	Watt	RPM	CFM	m ³ /min	Inch-H2O	PA	dB-A	g
AA17238B11HL(T)	DB	100~120	50	0.50	14	2550	150	4,245	0,39	97	48	800
AA17238B11HL(T)	DB	100~120	60	0.35	12	2700	170	4,811	0,52	130	51	800
AA17238B22HL(T)	DB	200~240	50	0.21	14	2550	150	4,245	0,39	97	48	800
AA17238B22HL(T)	DB	200~240	60	0.17	12	2700	170	4,811	0,52	130	51	800