

80x80x25mm  
AC100~240V Full range AC voltage input

**NEW**

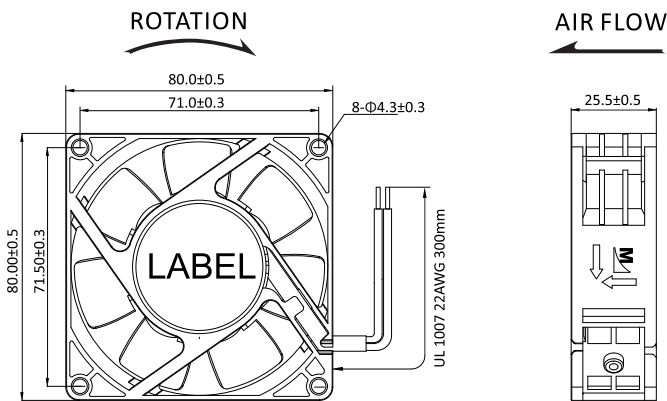


AF08025 AC/DC Fan

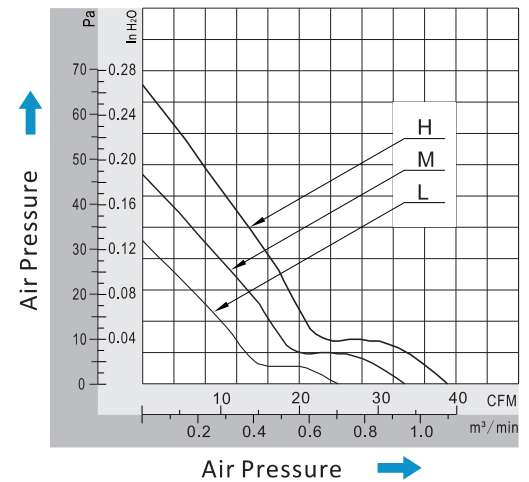
**General Specifications**

- ◆ Frame Size..... 80x80x25mm
- ◆ Material..... Frame: Plastic (UL94V-0), Impeller: Plastic (UL94V-0)  
Lead Wire: UL1007 22# black Terminal: 2.5mm
- ◆ Motor..... AF-AC Frequency-Switching Fan Motor
- ◆ Input Voltage..... 100V~ 240V (50/60Hz) ( AC & DC)
- ◆ Dielectric Strength.... 50/60Hz, 1500VAC 1Min. (between input terminal and frame)
- ◆ Expected Life..... Ball Bearing 50000hrs (40°C)
- ◆ Temperature Range... Operating temperature -10°C~+70°C (Non-condensing)  
Storage temperature -40°C~+70°C (Non-condensing)
- ◆ Sensor-Lead Wire..... FG Yellow, RD White, ⊕ Brown with UL1007 22#

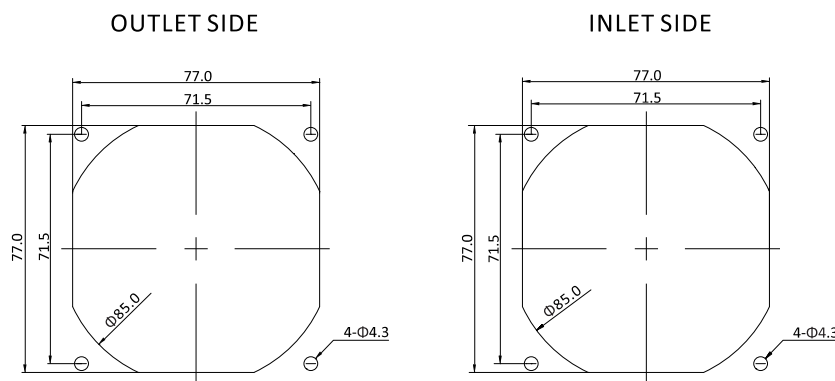
**Dimensions (Unit: mm)**



**PQ Curve (At Rated Voltage)**



**Mounting Panel Cutout (Unit: mm)**



**Safety Standards**



**Fans Specials**



**Specifications**

Model	Bearing Type	Rated Voltage	Frequenz	Rated Current	Input Power	Speed	Max Air Flow	Max Static Pressure	Noise	Weight
Part No.	DB/S	VAC & VDC	Hz	Amp	Watt	RPM	CFM m³/min	Inch-H2O PA	dB-A	g
AF08025B**HL(T)	Dual Ball	100~240	-	0.07	3,60	3500	39,9 1,128	0,27 67	35	95
AF08025B**ML(T)	Dual Ball	100~240	-	0.05	2,10	3000	33,1 0,935	0,19 47	27	95
AF08025B**LL(T)	Dual Ball	100~240	-	0.03	1,40	2500	26,2 0,740	0,13 32	21	95