

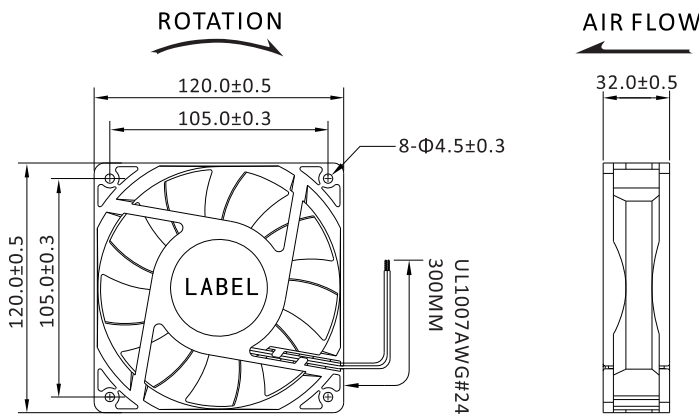
120x120x32mm
DC 12V, 24V, 48V



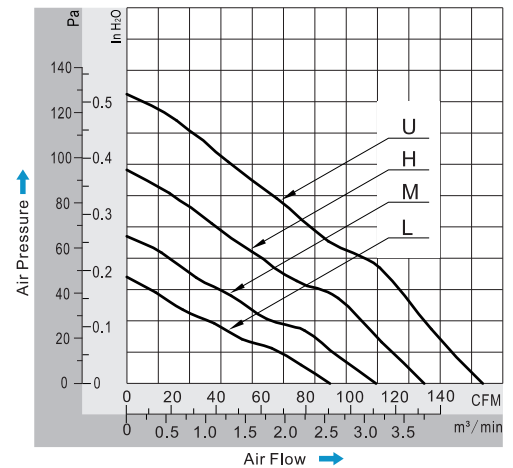
General Specifications

- Material..... Frame: Plastic (UL94V-0)
Impeller: Plastic (UL94V-0)
Lead Wire: UL1007AWG#24 or Equivalent (+)Red, (-)Black
- Expected Life..... Ball Bearing 50.000hrs (40°C)
- Temperature Range.. Operating temperature -10°C~+70°C (Non-condensing)
Storage temperature -40°C~+70°C (Non-condensing)

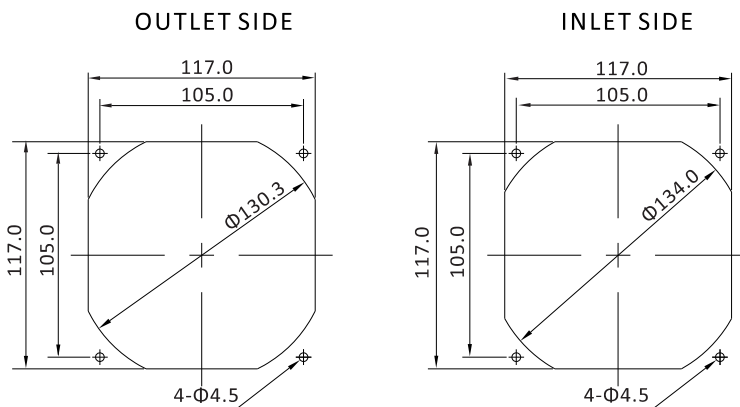
Dimensions (Unit: mm)



PQ Curve (At Rated Voltage)



Mounting Panel Cutout (Unit: mm)



Safety Standards



DC Fans Specials



Specifications

Model	Bearing Type	Rated Voltage	Operating Voltage	Rated Current	Input Power	Speed	Max Air Flow	Max Static Pressure	Noise	Weight		
Part No.	B/S	VDC	VDC	Amp	Watt	RPM	CFM	m³/min	Inch-H2O	PA	dB-A	g
DA12032#12U	B	12	7,0~13,8	2,00	24,00	3500	158,22	4,478	0,51	127	50	237
DA12032#12H	B	12	7,0~13,8	1,00	12,00	3000	134,90	3,818	0,38	95	46	237
DA12032#12M	B	12	7,0~13,8	0,80	9,60	2500	110,90	3,138	0,26	65	40	237
DA12032#12L	B	12	7,0~13,8	0,50	6,00	2000	91,15	2,580	0,18	45	33	237
DA12032#24U	B	24	14,0~27,6	1,00	24,00	3500	158,22	4,478	0,51	127	50	237
DA12032#24H	B	24	14,0~27,6	0,70	16,80	3000	134,90	3,818	0,38	95	46	237
DA12032#24M	B	24	14,0~27,6	0,50	12,00	2500	110,90	3,138	0,26	65	40	237
DA12032#24L	B	24	14,0~27,6	0,30	7,20	2000	91,15	2,580	0,18	45	33	237
DA12032#48U	B	48	28,0~56,0	0,60	28,80	3500	158,22	4,478	0,51	127	50	237
DA12032#48H	B	48	28,0~56,0	0,45	21,60	3000	134,90	3,818	0,38	95	46	237
DA12032#48M	B	48	28,0~56,0	0,25	12,00	2500	110,90	3,138	0,26	65	40	237
DA12032#48L	B	48	28,0~56,0	0,15	7,20	2000	91,15	2,580	0,18	45	33	237

DA12032 DC Fan