

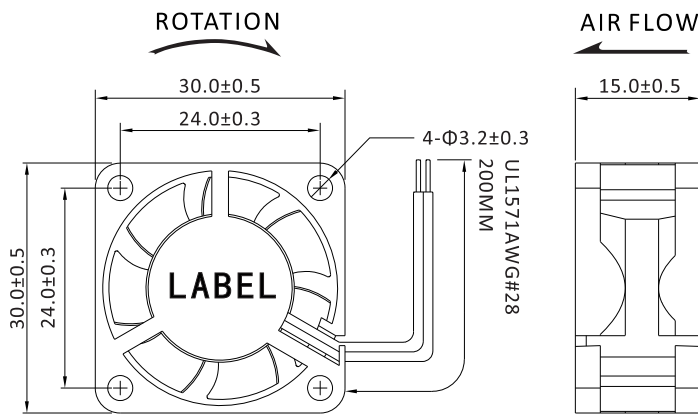
30x30x15mm  
DC 5V, 12V

**General Specifications**

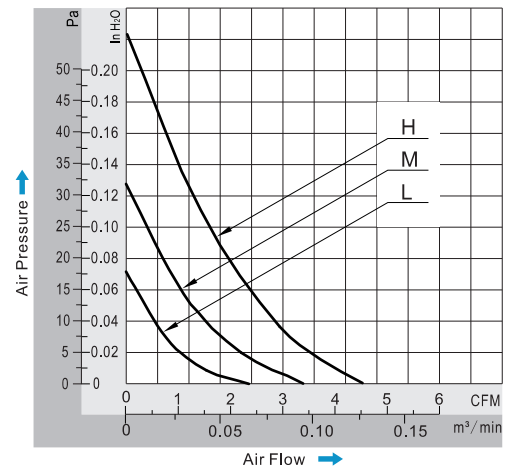
- Material..... Frame: Plastic (UL94V-0)  
Impeller: Plastic (UL94V-0)  
Lead Wire: UL1571AWG#28 or Equivalent (+)Red, (-)Black
- Expected Life..... Ball Bearing 50.000hrs (40°C)  
Sleeve Bearing 30.000hrs (40°C)
- Temperature Range.. Operating temperature -10°C~+70°C (Non-condensing)  
Storage temperature -40°C~+70°C (Non-condensing)



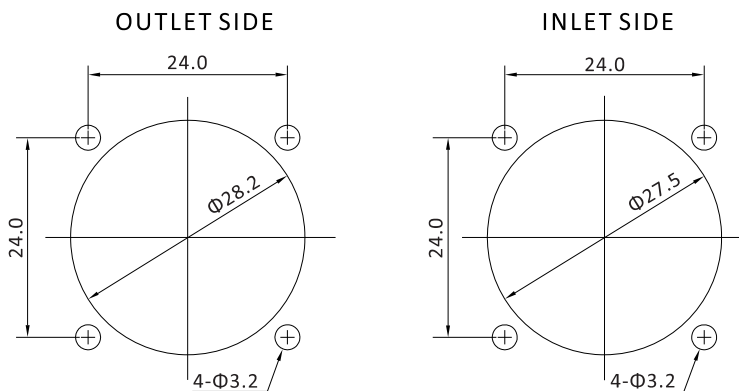
**Dimensions (Unit: mm)**



**PQ Curve (At Rated Voltage)**



**Mounting Panel Cutout (Unit: mm)**



**Safety Standards**



**DC Fans Specials**



**Specifications**

Model	Bearing Type	Rated Voltage	Operating Voltage	Rated Current	Input Power	Speed	Max Air Flow		Max Static Pressure		Noise	Weight
Part No.	B/S	VDC	VDC	Amp	Watt	RPM	CFM	m³/min	Inch-H2O	PA	dB-A	g
DA03015#05H	B.S	5	3,5~5,5	0,25	1,25	10000	4,51	0,128	0,22	55	31	12
DA03015#05M	B.S	5	3,5~5,5	0,17	0,85	8000	3,33	0,094	0,13	32	25	12
DA03015#05L	B.S	5	3,5~5,5	0,12	0,60	6000	2,35	0,067	0,07	17	21	12
DA03015#12H	B.S	12	7,0~13,8	0,12	1,44	10000	4,51	0,128	0,22	55	31	12
DA03015#12M	B.S	12	7,0~13,8	0,09	1,08	8000	3,33	0,094	0,13	32	25	12
DA03015#12L	B.S	12	7,0~13,8	0,06	0,72	6000	2,35	0,067	0,07	17	21	12