

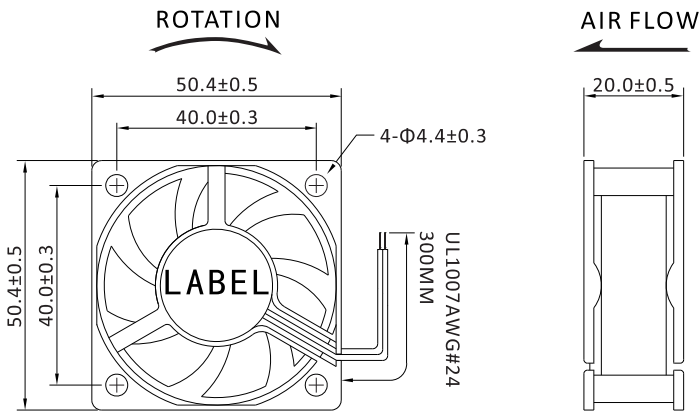
50x50x20mm
DC 5V, 12V, 24V



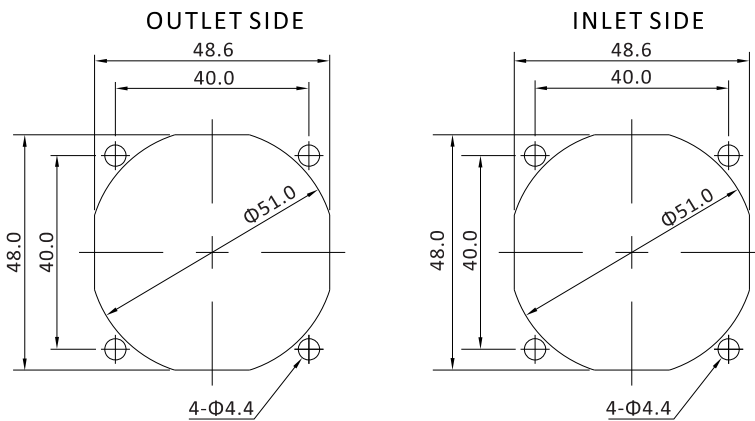
General Specifications

- ◆ Material..... Frame: Plastic (UL94V-0)
Impeller: Plastic (UL94V-0)
Lead Wire: UL1007AWG#24 or Equivalent (+)Red, (-)Black
- ◆ Expected Life..... Ball Bearing 50.000hrs (40°C)
Sleeve Bearing 30.000hrs (40°C)
- ◆ Temperature Range.. Operating temperature -10°C~+70°C (Non-condensing)
Storage temperature -40°C~+70°C (Non-condensing)

Dimensions (Unit: mm)



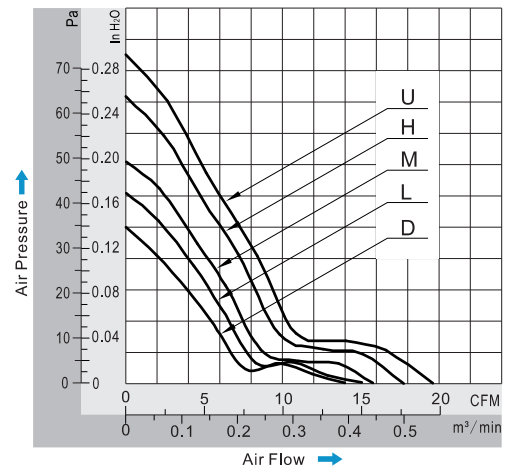
Mounting Panel Cutout (Unit: mm)



Specifications

Model	Bearing Type	Rated Voltage	Operating Voltage	Rated Current	Input Power	Speed	Max Air Flow	Max Static Pressure	Noise	Weight		
Part No.	B/S	VDC	VDC	Amp	Watt	RPM	CFM	m³/min	Inch-H2O	PA	dB-A	g
DA05020#05M	B.S	5	3,5~5,5	0,42	2,10	5500	15,56	0,440	0,20	50	31	32
DA05020#05L	B.S	5	3,5~5,5	0,28	1,40	5000	14,98	0,424	0,17	42	29	32
DA05020#05D	B.S	5	3,5~5,5	0,20	1,00	4500	13,70	0,388	0,14	35	26	32
DA05020#12U	B.S	12	7,0~13,8	0,20	2,40	6500	19,44	0,550	0,29	72	36	32
DA05020#12H	B.S	12	7,0~13,8	0,18	2,16	6000	17,37	0,492	0,26	65	33	32
DA05020#12M	B.S	12	7,0~13,8	0,16	1,92	5500	15,56	0,440	0,20	50	31	32
DA05020#12L	B.S	12	7,0~13,8	0,14	1,68	5000	14,95	0,423	0,17	42	29	32
DA05020#12D	B.S	12	7,0~13,8	0,10	1,20	4500	13,70	0,388	0,14	35	26	32
DA05020#24U	B.S	24	14,0~27,6	0,14	3,36	6500	19,44	0,550	0,29	72	36	32
DA05020#24H	B.S	24	14,0~27,6	0,12	2,88	6000	17,37	0,492	0,26	65	33	32
DA05020#24M	B.S	24	14,0~27,6	0,10	2,40	5500	15,56	0,440	0,20	50	31	32
DA05020#24L	B.S	24	14,0~27,6	0,08	1,92	5000	14,95	0,423	0,17	42	29	32
DA05020#24D	B.S	24	14,0~27,6	0,06	1,44	4500	13,70	0,388	0,14	35	26	32

PQ Curve (At Rated Voltage)



Safety Standards



DC Fans Specials



DA05020 DC Fan