

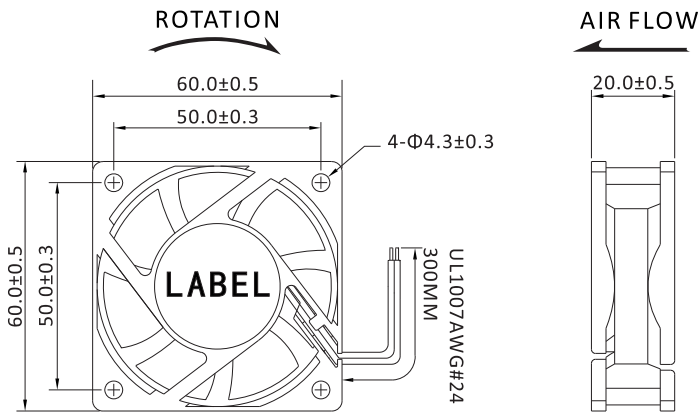
60x60x20mm
DC 12V, 24V, 48V



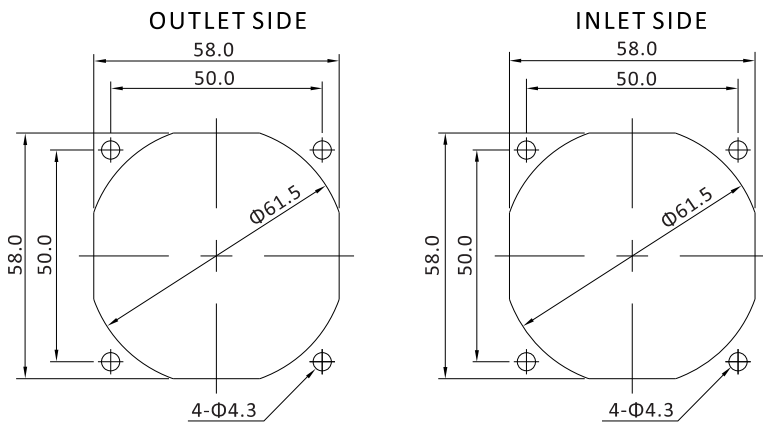
General Specifications

- ◆ Material..... Frame: Plastic (UL94V-0)
Impeller: Plastic (UL94V-0)
Lead Wire: UL1007AWG#24 or Equivalent (+)Red, (-)Black
- ◆ Expected Life..... Ball Bearing 50.000hrs (40°C)
Sleeve Bearing 30.000hrs (40°C)
- ◆ Temperature Range.. Operating temperature -10°C~+70°C (Non-condensing)
Storage temperature -40°C~+70°C (Non-condensing)

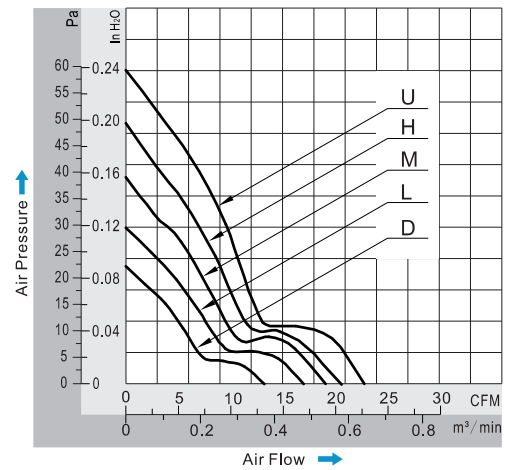
Dimensions (Unit: mm)



Mounting Panel Cutout (Unit: mm)



PQ Curve (At Rated Voltage)



DA06020 DC Fan

Safety Standards



DC Fans Specials



Specifications

Model	Bearing Type	Rated Voltage	Operating Voltage	Rated Current	Input Power	Speed	Max Air Flow	Max Static Pressure	Noise	Weight		
Part No.	B/S	VDC	VDC	Amp	Watt	RPM	CFM	m³/min	Inch-H2O	PA	dB-A	g
DA06020#12U	B.S	12	7,0~13,8	0,25	3,00	5000	23,16	0,655	0,24	60	34	52
DA06020#12H	B.S	12	7,0~13,8	0,20	2,40	4500	21,40	0,606	0,20	50	31	52
DA06020#12M	B.S	12	7,0~13,8	0,16	1,92	4000	18,38	0,520	0,16	40	28	52
DA06020#12L	B.S	12	7,0~13,8	0,12	1,44	3500	16,38	0,464	0,12	30	25	52
DA06020#12D	B.S	12	7,0~13,8	0,10	1,20	3000	13,80	0,391	0,09	22	23	52
DA06020#24U	B.S	24	14,0~27,6	0,16	3,84	5000	23,16	0,655	0,24	60	34	52
DA06020#24H	B.S	24	14,0~27,6	0,14	3,36	4500	21,40	0,606	0,20	50	31	52
DA06020#24M	B.S	24	14,0~27,6	0,12	2,88	4000	18,74	0,530	0,16	40	28	52
DA06020#24L	B.S	24	14,0~27,6	0,10	2,40	35000	16,38	0,464	0,12	30	25	52
DA06020#48U	B.S	48	28,0~56,0	0,08	3,84	5000	23,16	0,655	0,24	60	34	52
DA06020#48H	B.S	48	28,0~56,0	0,07	3,36	4500	21,40	0,606	0,20	50	31	52
DA06020#48M	B.S	48	28,0~56,0	0,06	2,88	4000	18,74	0,530	0,16	40	28	52
DA06020#48L	B.S	48	28,0~56,0	0,05	2,40	3500	16,38	0,464	0,12	30	25	52