

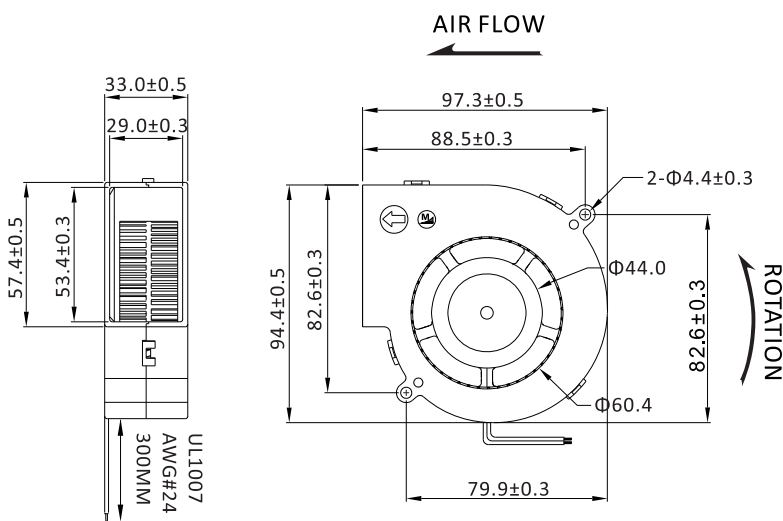
97x94x33mm
DC 12V, 24V

General Specifications

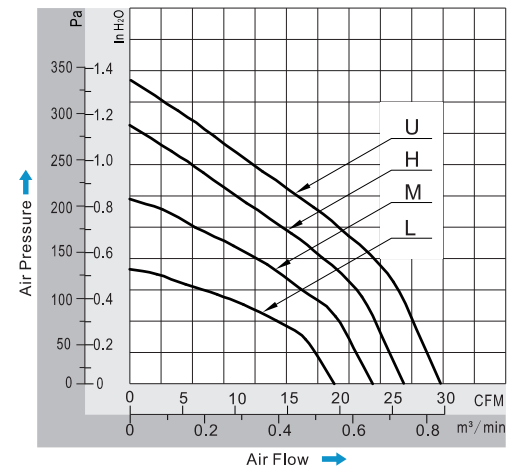
- Material..... Frame: Plastic (UL94V-0)
Impeller: Plastic (UL94V-0)
Lead Wire: UL1007AWG#24 or Equivalent (+)Red, (-)Black
- Expected Life..... Ball Bearing 50,000hrs (40°C)
Sleeve Bearing 30.000hrs(40°C)
- Temperature Range.. Operating temperature -10°C~+70°C (Non-condensing)
Storage temperature -40°C~+70°C (Non-condensing)



Dimensions (Unit: mm)



PQ Curve (At Rated Voltage)



Safety Standards



DC Fans Specials



Specifications

Model	Bearing Type	Rated Voltage	Operating Voltage	Rated Current	Input Power	Speed	Max Air Flow	Max Static Pressure	Noise	Weight		
Part No.	B/S	VDC	VDC	Amp	Watt	RPM	CFM	m³/min	Inch-H2O	PA	dB-A	g
DB09733#12U	B.S	12	7,0~13,8	1,40	16,80	4500	29,76	0,842	1,35	336	57	164
DB09733#12H	B.S	12	7,0~13,8	1,00	12,00	4000	26,62	0,753	1,15	286	53	164
DB09733#12M	B.S	12	7,0~13,8	0,60	7,20	3500	23,34	0,661	0,83	207	49	164
DB09733#12L	B.S	12	7,0~13,8	0,40	4,80	3000	19,71	0,558	0,53	132	45	164
DB09733#24U	B.S	24	14,0~27,6	1,00	24,00	4500	29,76	0,842	1,35	336	57	164
DB09733#24H	B.S	24	14,0~27,6	0,80	19,20	4000	26,62	0,753	1,15	286	53	164
DB09733#24M	B.S	24	14,0~27,6	0,50	12,00	3500	23,34	0,661	0,83	207	49	164
DB09733#24L	B.S	24	14,0~27,6	0,30	7,20	3000	19,71	0,558	0,53	132	45	164